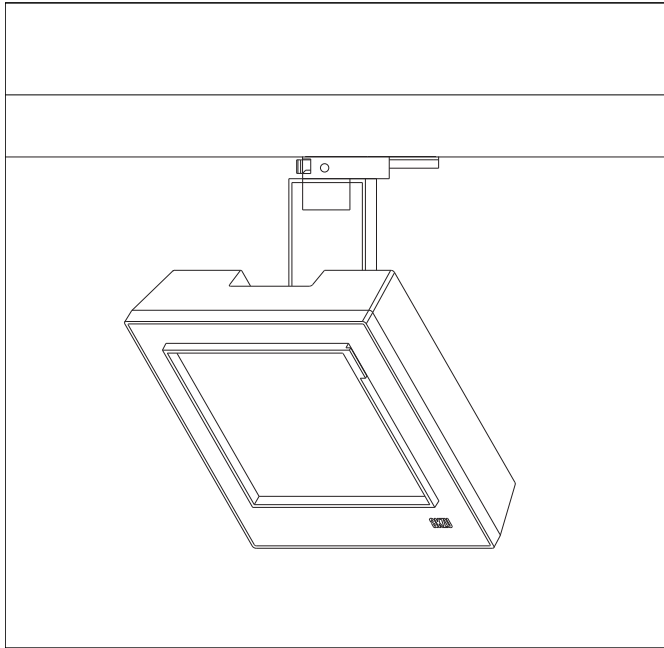


# AKZU Tracron M6 Track Lights

Product Data Sheet

603272.000



**Technical Data**

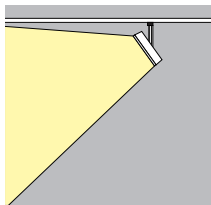
Light source: LED  
 Wattage: 40W  
 Voltage: 220-240VAC  
 Nominal luminous flux: 3900lm  
 Beam angle: Wallwash  
 Color temperature: 4000K, neutral white  
 Color Rendering Index: 90

**Technical Characteristics**

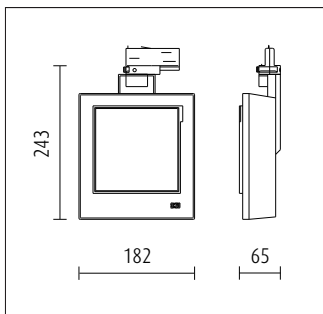
Protection degree: IP20 (En60598)  
 Insulation class: Class I (En60598)

**Product Description**

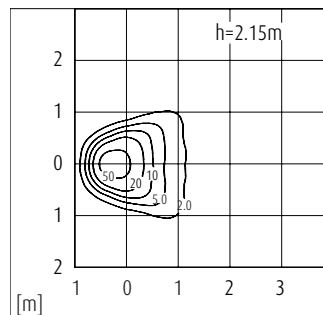
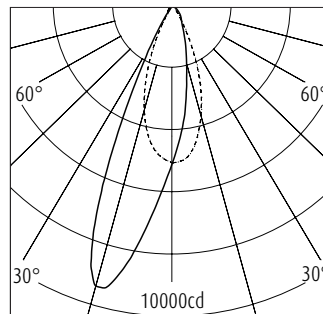
Housing and bracket: cast aluminium, powder-coated, White. 0°- 90°tilt.  
 Bracket rotatable through 360°on 3-circuit adapter.  
 3-circuit adapter: plastic.  
 Including electronic control, DALI Plug & Play.  
 Replaceable LED module: high-power LEDs on metal-core PCB, Collimating lens made of optical polymer.  
 Front cover: plastic.  
 Weight: 1.60kg



**Dimension**



**Lighting Distribution Planning Data**



All data, images, and specifications are for reference only and may be changed due to product improvement without prior notice.



3 circuit track



Surface mounted universal mono track point



Recessed mounted universal mono track point



Replaceable accessories principal lens



Anti-glare slides



Barn door

More details at [www.akzu.com/603271](http://www.akzu.com/603271)