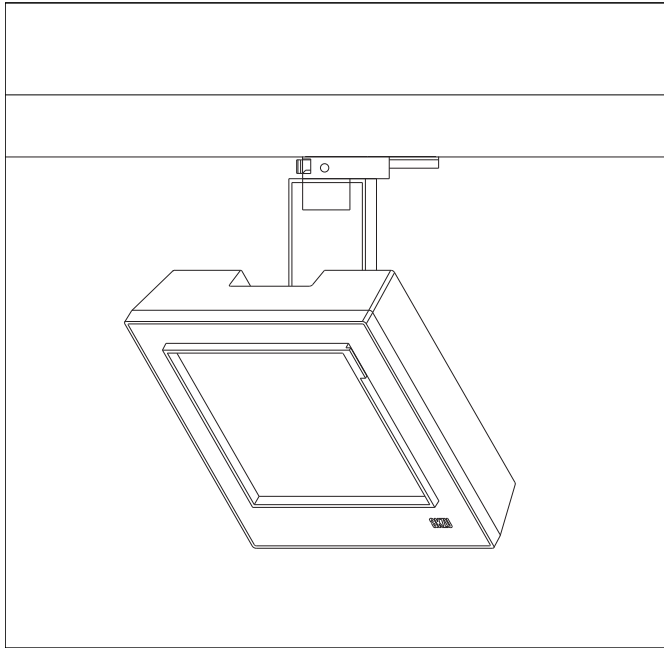




# Tracron M6 Track Lights

Product Data Sheet

603222.000



### Technical Data

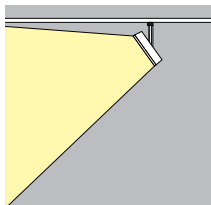
Light source: LED  
Wattage: 40W  
Voltage: 220-240VAC  
Nominal luminous flux: 3420lm  
Beam angle: Wallwash  
Color temperature: 3000K, warm white  
Color Rendering Index: 95

### Technical Characteristics

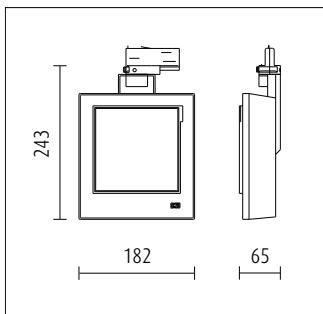
Protection degree: IP20 (En60598)  
Insulation class: Class I (En60598)

### Product Description

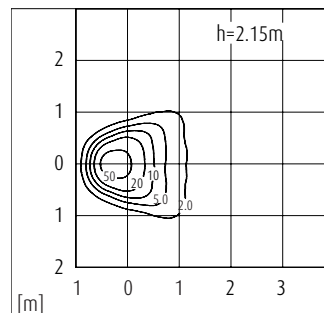
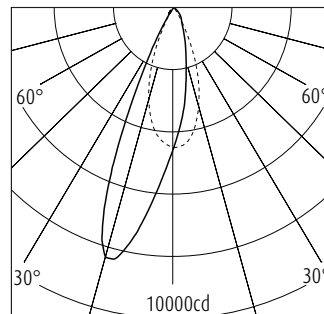
Housing and bracket: cast aluminium, powder-coated, Black. 0°- 90°tilt.  
Bracket rotatable through 360°on 3-circuit adapter.  
3-circuit adapter: plastic.  
Including electronic control, DALI Plug & Play.  
Replaceable LED module: high-power LEDs on metal-core PCB, Collimating lens made of optical polymer.  
Front cover: plastic.  
Weight: 1.60kg



### Dimension



### Lighting Distribution Planning Data



All data, images, and specifications are for reference only and may be changed due to product improvement without prior notice.



3 circuit track



Surface mounted universal mono track point



Recessed mounted universal mono track point



Replaceable accessories principal lens



Anti-glare slides



Barn door

More details at [www.akzu.com/603222](http://www.akzu.com/603222)