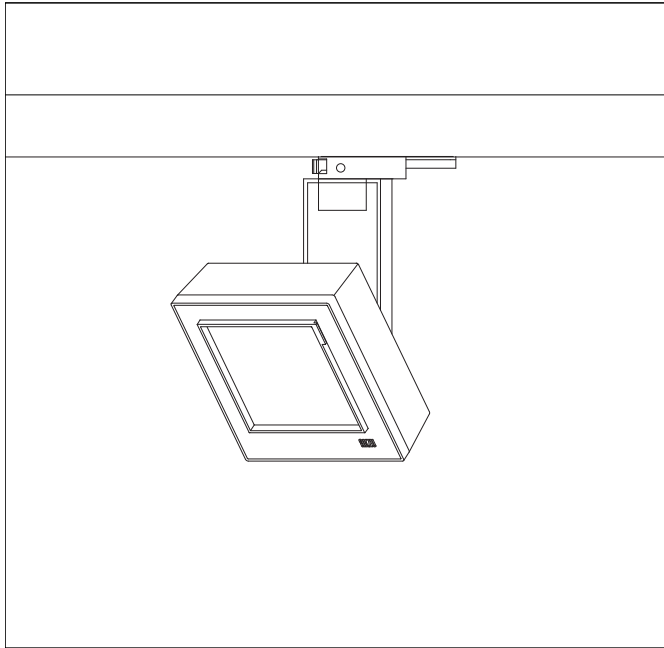


AKZU Tracron M6 Track Lights

Product Data Sheet



601438.000

Technical Data

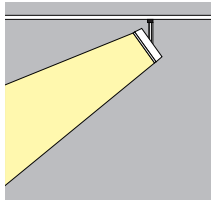
Light source: LED
 Wattage: 14W
 Voltage: 220-240VAC
 Nominal luminous flux: 1300lm
 Beam angle: 29°, flood
 Color temperature: 4000K, neutral white
 Color Rendering Index: 90

Technical Characteristics

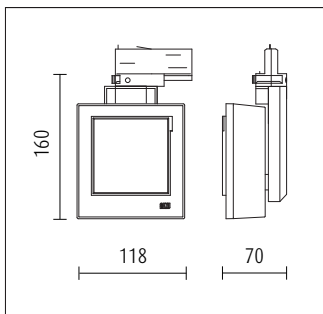
Protection degree: IP20 (En60598)
 Insulation class: Class I (En60598)

Product Description

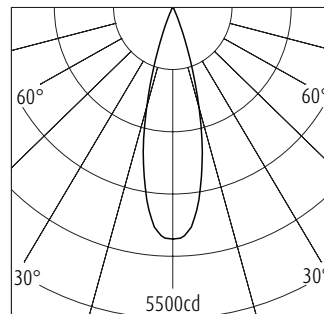
Housing and bracket: cast aluminium, powder-coated, White, 0°- 90°tilt.
 Bracket rotatable through 360°on 3-circuit adapter.
 3-circuit adapter: plastic.
 Including electronic control, dimmable with potentiometer for brightness control 0-100%.
 Replaceable LED module: high-power LEDs on metal-core PCB, Collimating lens made of optical polymer.
 Front cover: plastic.
 Weight: 0.70kg



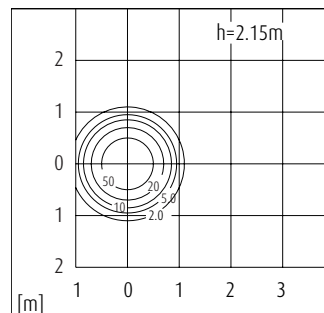
Dimension



Lighting Distribution Planning Data



H(m)	D(m)	E(lx)
1	0.51	4157
2	1.02	1039
3	1.53	462
4	2.04	260
5	2.55	166



$\eta_{LOR}=80\%$
 $UGR=12.0$

E[lx]	100lx	500lx
a[m ²]	n=10	n=49
100		

All data, images, and specifications are for reference only and may be changed due to product improvement without prior notice.



3 circuit track



Surface mounted universal mono track point



Recessed mounted universal mono track point



Replaceable accessories principal lens



Anti-glare slides



Barn door

More details at www.akzu.com/601438