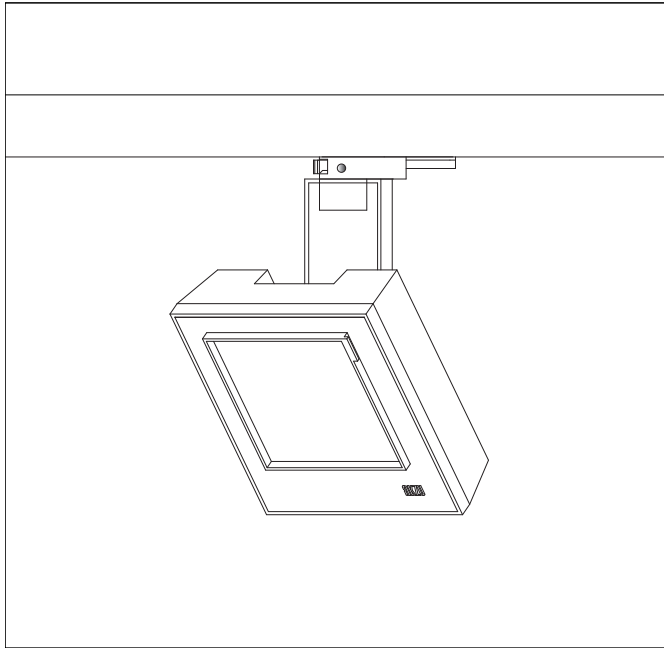


AKZU Tracron M6 Track Lights

Product Data Sheet



601108.000

Technical Data

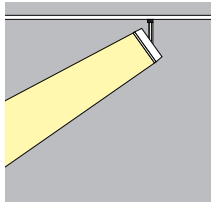
Light source: LED
 Wattage: 12W
 Voltage: 220-240VAC
 Nominal luminous flux: 1040lm
 Beam angle: 10°, narrow spot
 Color temperature: 4000K, neutral white
 Color Rendering Index: 90

Technical Characteristics

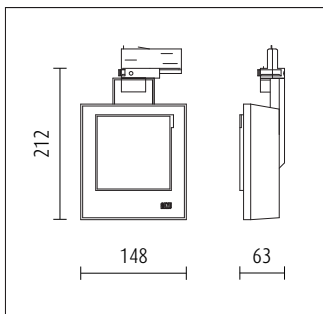
Protection degree: IP20 (En60598)
 Insulation class: Class I (En60598)

Product Description

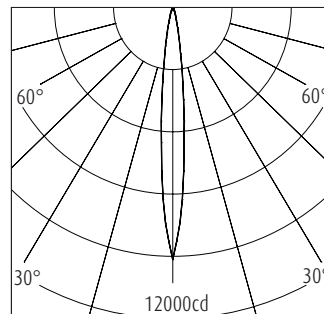
Housing and bracket: cast aluminium, powder-coated, Black. 0°- 90°tilt.
 Bracket rotatable through 360°on 3-circuit adapter.
 3-circuit adapter: plastic.
 Including electronic control, DALI Plug & Play.
 Replaceable LED module: high-power LEDs on metal-core PCB, Collimating lens made of optical polymer.
 Front cover: plastic.
 Weight: 1.20kg



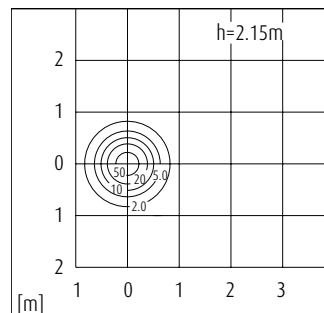
Dimension



Lighting Distribution Planning Data



H(m)	D(m)	E(lx)
1	0.19	9750
2	0.38	2437
3	0.57	1083
4	0.76	609
5	0.95	390



η LOR=80%
 UGR=8.1

E[lx]	100lx	500lx
a[m ²]	n=12	n=60
100		

All data, images, and specifications are for reference only and may be changed due to product improvement without prior notice.



3 circuit track



Surface mounted universal mono track point



Recessed mounted universal mono track point



Replaceable accessories principal lens



Anti-glare slides



Barn door

More details at www.akzu.com/601108