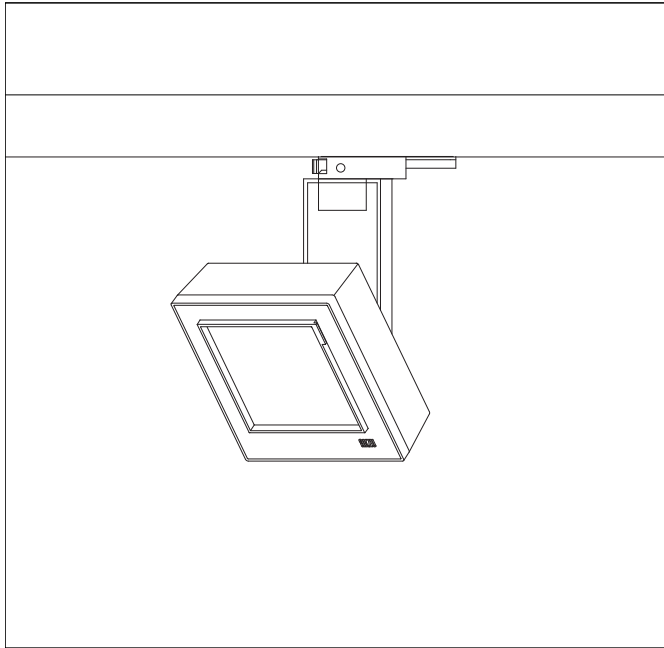


# AKZU Tracron M6 Track Lights

Product Data Sheet



601031.000

### Technical Data

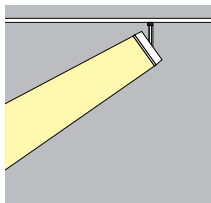
Light source: LED  
 Wattage: 6W  
 Voltage: 220-240VAC  
 Nominal luminous flux: 460lm  
 Beam angle: 10°, narrow spot  
 Color temperature: 3000K, warm white  
 Color Rendering Index: 95

### Technical Characteristics

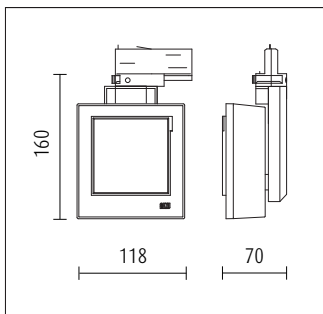
Protection degree: IP20 (En60598)  
 Insulation class: Class I (En60598)

### Product Description

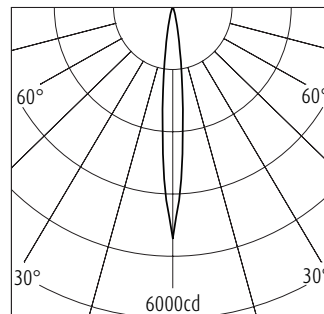
Housing and bracket: cast aluminium, powder-coated, White, 0°- 90°tilt.  
 Bracket rotatable through 360°on 3-circuit adapter.  
 3-circuit adapter: plastic.  
 Including electronic control, dimmable with potentiometer for brightness control 0-100%.  
 Replaceable LED module: high-power LEDs on metal-core PCB, Collimating lens made of optical polymer.  
 Front cover: plastic.  
 Weight: 0.70kg



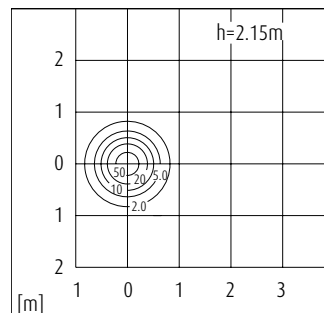
### Dimension



### Lighting Distribution Planning Data



H(m)	D(m)	E(lx)
1	0.19	4259
2	0.38	1064
3	0.57	473
4	0.76	266
5	0.95	170



$\eta$ LOR=80%  
 UGR=6.6

E[lx]	100lx	500lx
a[m <sup>2</sup> ]	n=26	n=128
100		

All data, images, and specifications are for reference only and may be changed due to product improvement without prior notice.



3 circuit track



Surface mounted universal mono track point



Recessed mounted universal mono track point



Replaceable accessories principal lens



Anti-glare slides



Barn door

More details at [www.akzu.com/601031](http://www.akzu.com/601031)