

AKZU Tracron M4 Track Lights

Product Data Sheet



627480.000

Technical Data

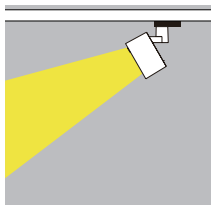
Light source: LED
 Wattage: 20W
 Voltage: 220-240VAC
 Nominal luminous flux: 1710lm
 Beam angle: 29°, flood
 Color temperature: 3000K, warm white
 Color Rendering Index: 95

Technical Characteristics

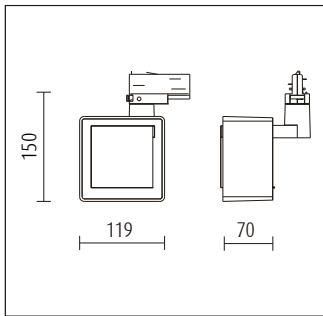
Protection degree: IP20 (En60598)
 Insulation class: Class I (En60598)

Product Description

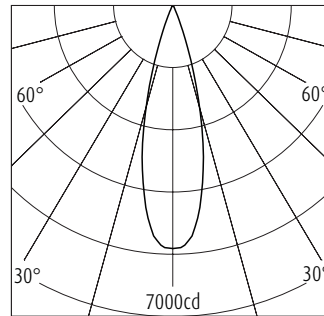
Housing and bracket: cast aluminium, powder-coated, White. 0°- 90°tilt.
 Bracket rotatable through 360°on 3-circuit adapter.
 3-circuit adapter: plastic.
 Including electronic control, DALI Plug & Play.
 Replaceable LED module: high-power LEDs on metal-core PCB, Collimating lens made of optical polymer.
 Front cover: plastic.
 Weight: 1.10kg



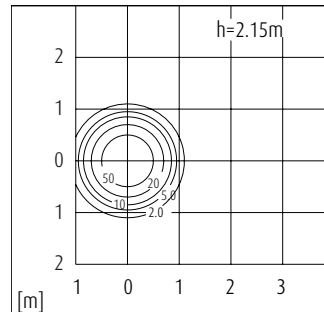
Dimension



Lighting Distribution Planning Data



| H(m) | D(m) | E(lx) |
|------|------|-------|
| 1 | 0.51 | 5468 |
| 2 | 1.02 | 1367 |
| 3 | 1.53 | 607 |
| 4 | 2.04 | 341 |
| 5 | 2.55 | 218 |



$\eta_{LOR}=80\%$
 $UGR=12.7$

| E[lx] | 100lx | 500lx |
|--------------------|-------|-------|
| a[m ²] | n=8 | n=37 |
| 100 | | |

All data, images, and specifications are for reference only and may be changed due to product improvement without prior notice.



3 circuit track



Surface mounted universal mono track point



Recessed mounted universal mono track point



Replaceable accessories principal lens



Anti-glare slides



Barn door

More details at www.akzu.com/627480