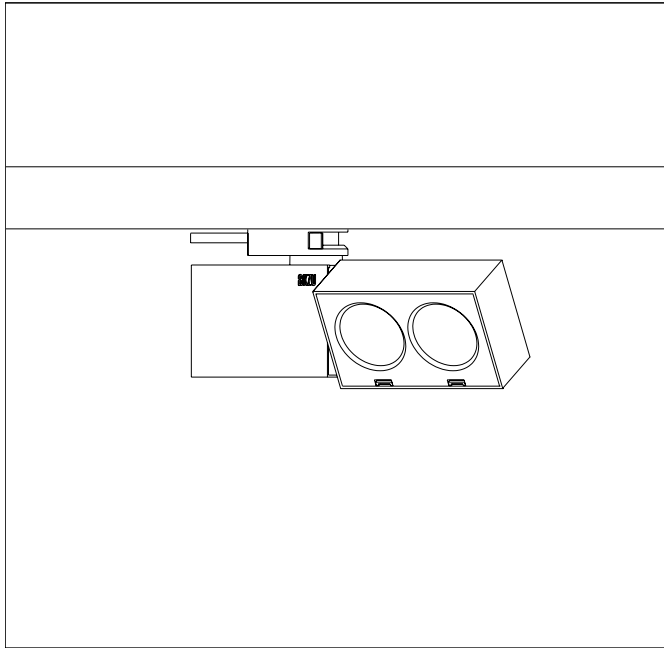


AKZU Tracron M3 Track Lights

Product Data Sheet

618886.000



Technical Data

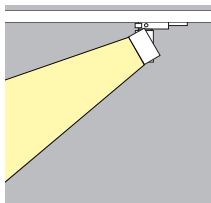
Light source: LED
 Wattage: 12W
 Voltage: 220-240VAC
 Nominal luminous flux: 900lm
 Beam angle: 29°, flood
 Color temperature: 3000K, warm white
 Color Rendering Index: 95

Technical Characteristics

Protection degree: IP20 (En60598)
 Insulation class: Class I (En60598)

Product Description

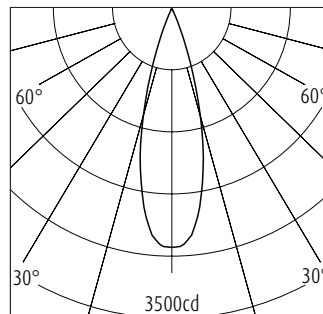
Housing and bracket: cast aluminium, powder-coated, Black. 0°- 270°tilt.
 Bracket rotatable through 360°on 3-circuit adapter.
 3-circuit adapter: plastic.
 Including electronic control, dimmable with potentiometer for brightness control 0-100%.
 Replaceable LED module: high-power LEDs on metal-core PCB, Collimating lens made of optical polymer.
 Front cover: plastic.
 Weight: 0.45kg



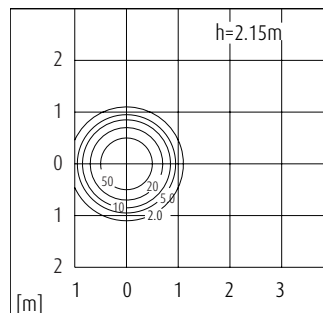
Dimension



Lighting Distribution Planning Data



| H(m) | D(m) | E(lx) |
|------|------|-------|
| 1.0 | 0.51 | 2720 |
| 2.0 | 1.02 | 680 |
| 3.0 | 1.53 | 302 |
| 4.0 | 2.04 | 170 |
| 5.0 | 2.55 | 109 |



η LOR=80%
 UGR=12.7

| E[lx] | 100lx | 500lx |
|--------------------|-------|-------|
| a[m ²] | n=15 | n=74 |
| 100 | | |

All data, images, and specifications are for reference only and may be changed due to product improvement without prior notice.



3 circuit track



Surface mounted universal mono track point



Recessed mounted universal mono track point



Replaceable accessories principal lens

More details at www.akzu.com/618886