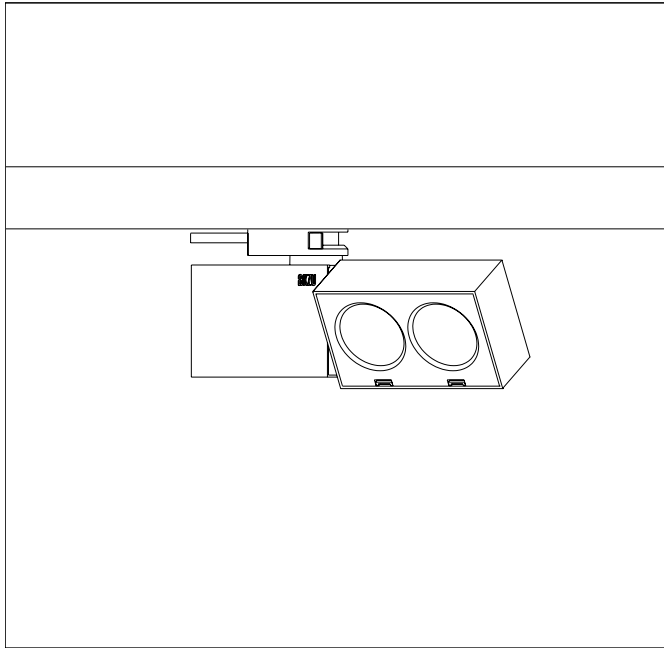


AKZU Tracron M3 Track Lights

Product Data Sheet

618439.000



Technical Data

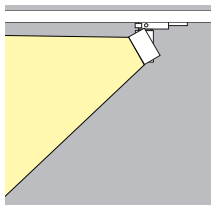
Light source: LED
 Wattage: 9W
 Voltage: 220-240VAC
 Nominal luminous flux: 720lm
 Beam angle: Wallwash
 Color temperature: 4000K, neutral white
 Color Rendering Index: 90

Technical Characteristics

Protection degree: IP20 (En60598)
 Insulation class: Class I (En60598)

Product Description

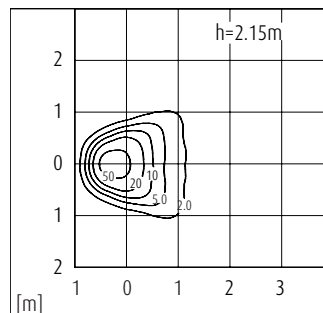
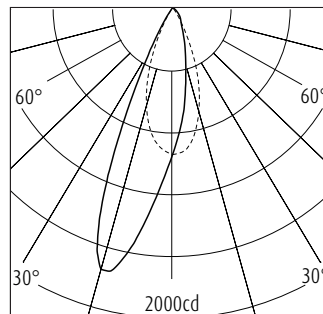
Housing and bracket: cast aluminium, powder-coated, White. 0°- 270°tilt.
 Bracket rotatable through 360°on 3-circuit adapter.
 3-circuit adapter: plastic.
 Including electronic control, DALI Plug & Play.
 Replaceable LED module: high-power LEDs on metal-core PCB, Collimating lens made of optical polymer.
 Front cover: plastic.
 Weight: 0.45kg



Dimension



Lighting Distribution Planning Data



All data, images, and specifications are for reference only and may be changed due to product improvement without prior notice.



3 circuit track



Surface mounted universal mono track point



Recessed mounted universal mono track point



Replaceable accessories principal lens

More details at www.akzu.com/618439