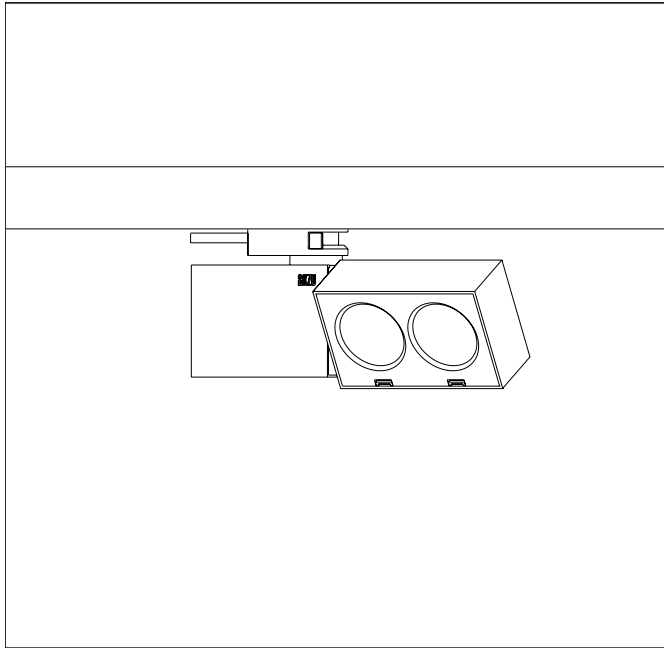


# AKZU Tracron M3 Track Lights

Product Data Sheet

618437.000



### Technical Data

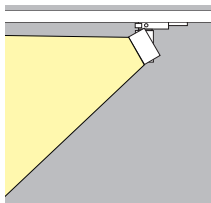
Light source: LED  
 Wattage: 9W  
 Voltage: 220-240VAC  
 Nominal luminous flux: 720lm  
 Beam angle: Wallwash  
 Color temperature: 4000K, neutral white  
 Color Rendering Index: 90

### Technical Characteristics

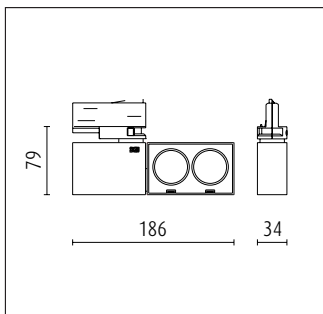
Protection degree: IP20 (En60598)  
 Insulation class: Class I (En60598)

### Product Description

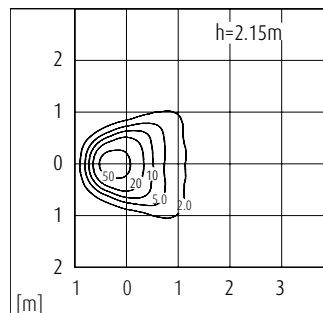
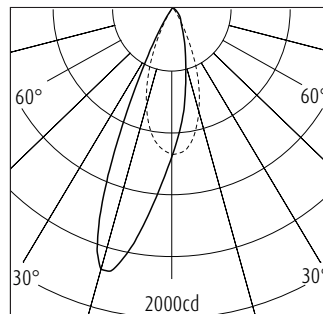
Housing and bracket: cast aluminium, powder-coated, White. 0°- 270°tilt.  
 Bracket rotatable through 360°on 3-circuit adapter.  
 3-circuit adapter: plastic.  
 Including electronic control, dimmable with potentiometer for brightness control 0-100%.  
 Replaceable LED module: high-power LEDs on metal-core PCB, Collimating lens made of optical polymer.  
 Front cover: plastic.  
 Weight: 0.45kg



### Dimension



### Lighting Distribution Planning Data



All data, images, and specifications are for reference only and may be changed due to product improvement without prior notice.



3 circuit track



Surface mounted universal mono track point



Recessed mounted universal mono track point



Replaceable accessories principal lens

More details at [www.akzu.com/618437](http://www.akzu.com/618437)