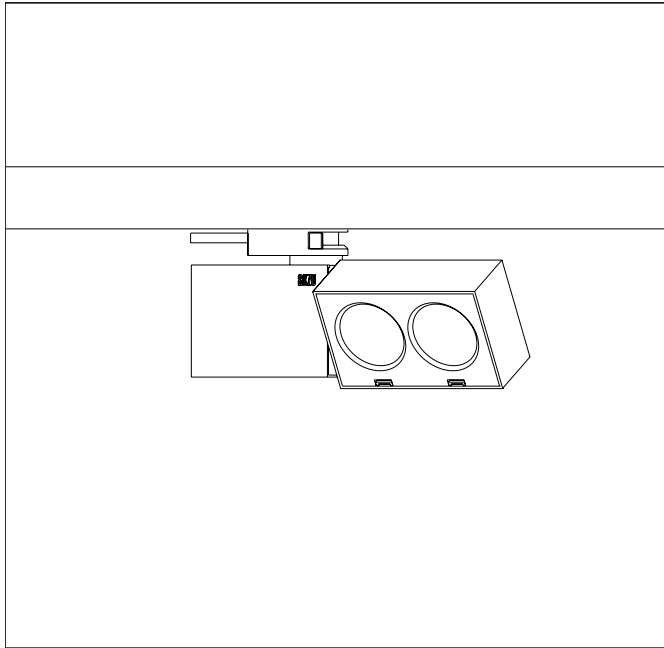


# AKZU Tracron M3 Track Lights

Product Data Sheet



618431.000

### Technical Data

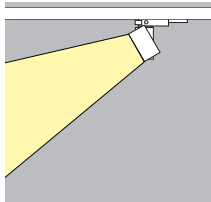
Light source: LED  
 Wattage: 9W  
 Voltage: 220-240VAC  
 Nominal luminous flux: 720lm  
 Beam angle: 47°, broad flood  
 Color temperature: 4000K, neutral white  
 Color Rendering Index: 90

### Technical Characteristics

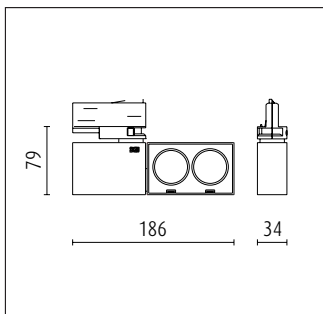
Protection degree: IP20 (En60598)  
 Insulation class: Class I (En60598)

### Product Description

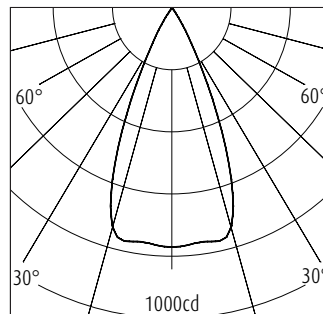
Housing and bracket: cast aluminium, powder-coated, White. 0°- 270°tilt.  
 Bracket rotatable through 360°on 3-circuit adapter.  
 3-circuit adapter: plastic.  
 Including electronic control, DALI Plug & Play.  
 Replaceable LED module: high-power LEDs on metal-core PCB, Collimating lens made of optical polymer.  
 Front cover: plastic.  
 Weight: 0.45kg



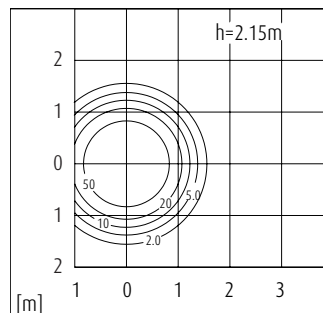
### Dimension



### Lighting Distribution Planning Data



| H(m) | D(m) | E(lx) |
|------|------|-------|
| 1.0  | 0.88 | 943   |
| 1.5  | 1.32 | 419   |
| 2.0  | 1.76 | 235   |
| 2.5  | 2.20 | 150   |
| 3.0  | 2.65 | 104   |



$\eta$ LOR=80%  
 UGR=13.0

| E[lx]              | 100lx | 500lx |
|--------------------|-------|-------|
| a[m <sup>2</sup> ] | n=18  | n=87  |
| 100                |       |       |

All data, images, and specifications are for reference only and may be changed due to product improvement without prior notice.



3 circuit track



Surface mounted universal mono track point



Recessed mounted universal mono track point



Replaceable accessories principal lens

More details at [www.akzu.com/618431](http://www.akzu.com/618431)