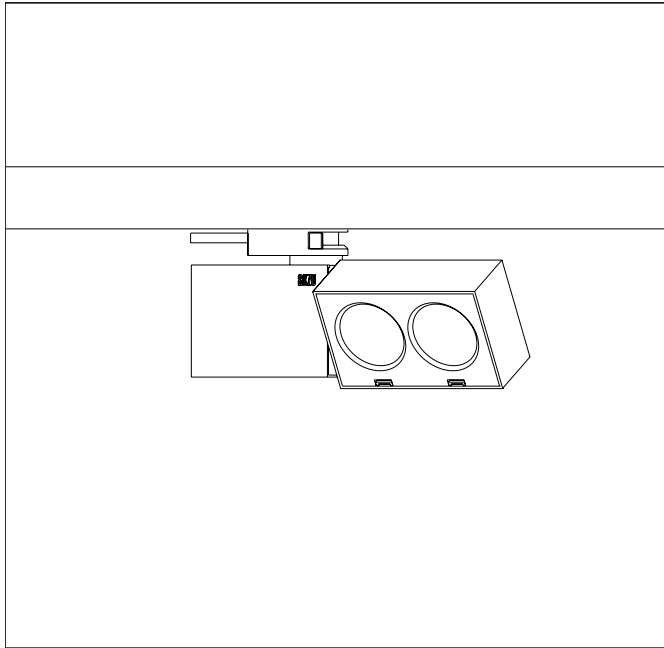


AKZU Tracron M3 Track Lights

Product Data Sheet



618426.000

Technical Data

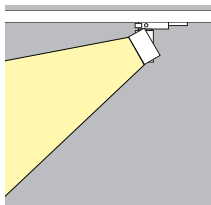
Light source: LED
 Wattage: 9W
 Voltage: 220-240VAC
 Nominal luminous flux: 630lm
 Beam angle: 55°x19°, oval flood
 Color temperature: 3000K, warm white
 Color Rendering Index: 95

Technical Characteristics

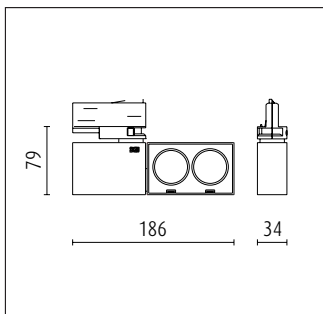
Protection degree: IP20 (En60598)
 Insulation class: Class I (En60598)

Product Description

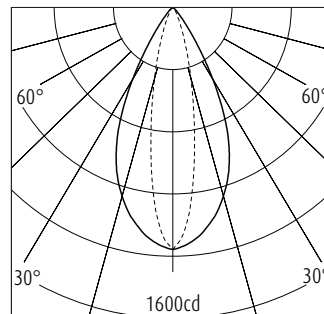
Housing and bracket: cast aluminium, powder-coated, Black. 0°- 270°tilt.
 Bracket rotatable through 360°on 3-circuit adapter.
 3-circuit adapter: plastic.
 Including electronic control, DALI Plug & Play.
 Replaceable LED module: high-power LEDs on metal-core PCB, Collimating lens made of optical polymer.
 Front cover: plastic.
 Weight: 0.45kg



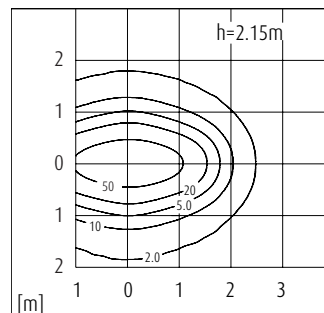
Dimension



Lighting Distribution Planning Data



| H(m) | D(m) C0 | D(m) C90 | E(lx) |
|------|---------|----------|-------|
| 1.0 | 1.00 | 0.38 | 1267 |
| 1.5 | 1.50 | 0.57 | 563 |
| 2.0 | 2.00 | 0.76 | 316 |
| 2.5 | 2.50 | 0.95 | 202 |
| 3.0 | 3.00 | 1.14 | 140 |



η LOR=80%
 UGR=14.6

| E[lx] | 100lx | 500lx |
|--------------------|-------|-------|
| a[m ²] | n=20 | n=100 |
| 100 | | |

All data, images, and specifications are for reference only and may be changed due to product improvement without prior notice.



3 circuit track



Surface mounted universal mono track point



Recessed mounted universal mono track point



Replaceable accessories principal lens

More details at www.akzu.com/618426