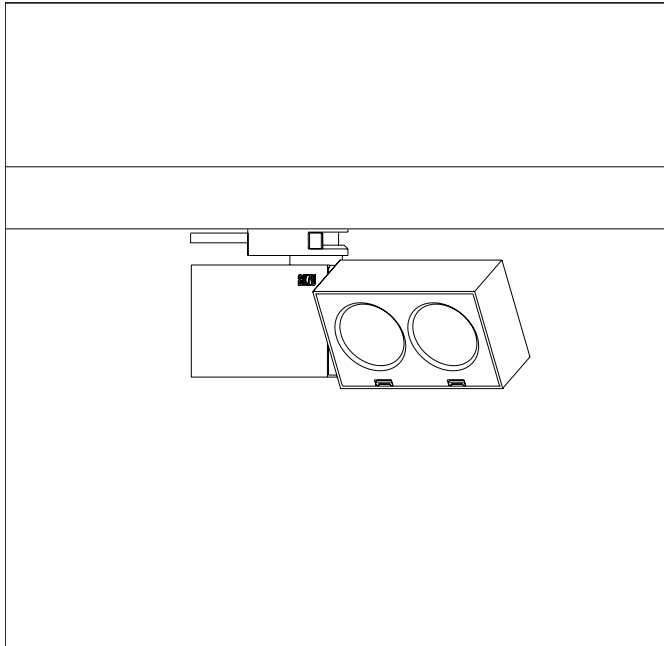


AKZU Tracron M3 Track Lights

Product Data Sheet



618248.000

Technical Data

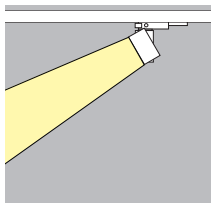
Light source: LED
 Wattage: 9W
 Voltage: 220-240VAC
 Nominal luminous flux: 630lm
 Beam angle: 16°, spot
 Color temperature: 3000K, warm white
 Color Rendering Index: 95

Technical Characteristics

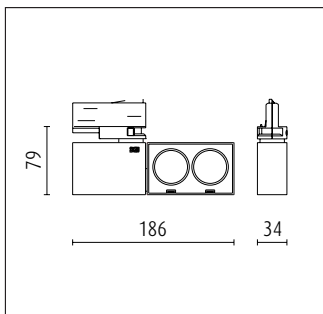
Protection degree: IP20 (En60598)
 Insulation class: Class I (En60598)

Product Description

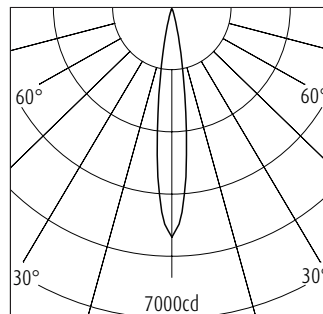
Housing and bracket: cast aluminium, powder-coated, White. 0°- 270°tilt.
 Bracket rotatable through 360°on 3-circuit adapter.
 3-circuit adapter: plastic.
 Including electronic control, DALI Plug & Play.
 Replaceable LED module: high-power LEDs on metal-core PCB, Collimating lens made of optical polymer.
 Front cover: plastic.
 Weight: 0.45kg



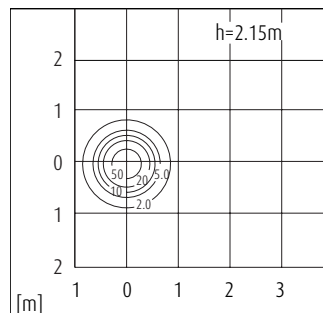
Dimension



Lighting Distribution Planning Data



H(m)	D(m)	E(lx)
1.0	0.26	5139
1.5	0.39	2283
2.0	0.52	1284
2.5	0.65	822
3.0	0.78	570



η LOR=80%
 UGR=10.6

E[lx]	100lx	500lx
a[m ²]	n=20	n=100
100		

All data, images, and specifications are for reference only and may be changed due to product improvement without prior notice.



3 circuit track



Surface mounted universal mono track point



Recessed mounted universal mono track point



Replaceable accessories principal lens

More details at www.akzu.com/618248