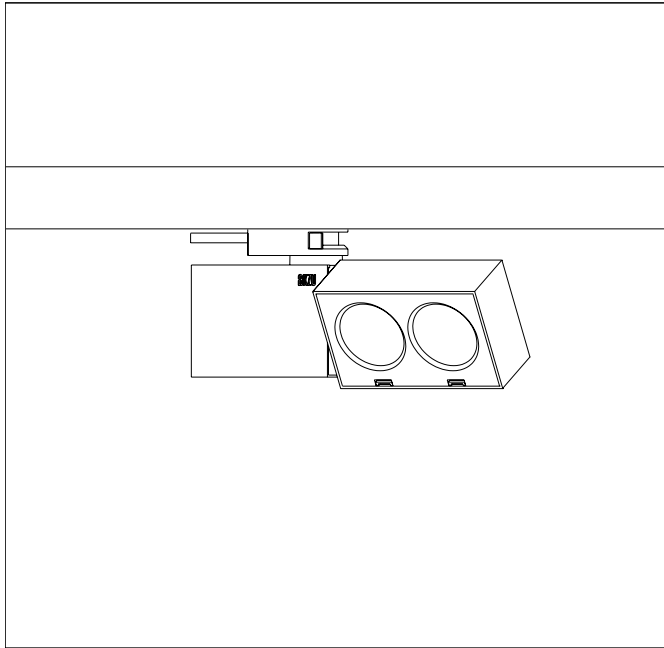


AKZU Tracron M3 Track Lights

Product Data Sheet



618233.000

Technical Data

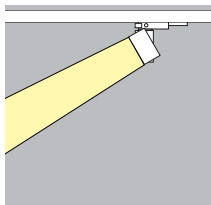
Light source: LED
 Wattage: 6W
 Voltage: 220-240VAC
 Nominal luminous flux: 380lm
 Beam angle: 10°, narrow spot
 Color temperature: 3000K, warm white
 Color Rendering Index: 95

Technical Characteristics

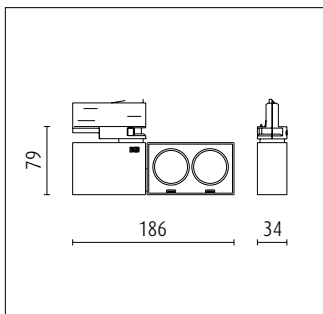
Protection degree: IP20 (En60598)
 Insulation class: Class I (En60598)

Product Description

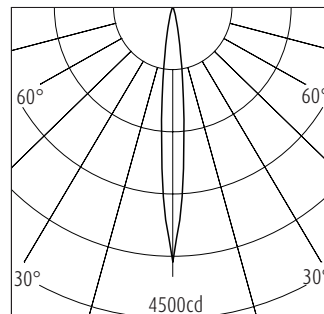
Housing and bracket: cast aluminium, powder-coated, White. 0°- 270°tilt.
 Bracket rotatable through 360°on 3-circuit adapter.
 3-circuit adapter: plastic.
 Including electronic control, dimmable with potentiometer for brightness control 0-100%.
 Replaceable LED module: high-power LEDs on metal-core PCB, Collimating lens made of optical polymer.
 Front cover: plastic.
 Weight: 0.45kg



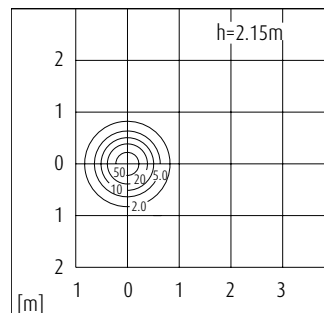
Dimension



Lighting Distribution Planning Data



H(m)	D(m)	E(lx)
1.0	0.19	3562
2.0	0.38	890
3.0	0.57	395
4.0	0.76	222
5.0	0.95	142



η LOR=80%
 UGR=6.6

E[lx]	100lx	500lx
a[m ²]	n=33	n=165
100		

All data, images, and specifications are for reference only and may be changed due to product improvement without prior notice.



3 circuit track



Surface mounted universal mono track point



Recessed mounted universal mono track point



Replaceable accessories principal lens

More details at www.akzu.com/618233