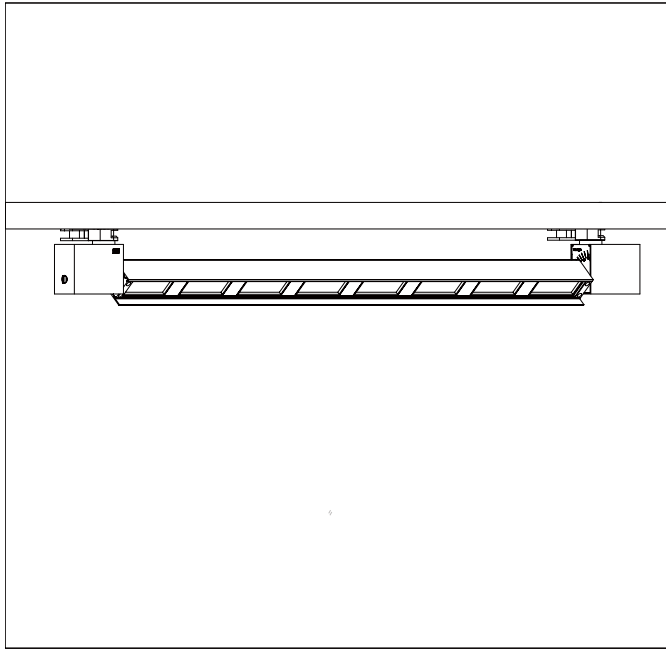


AKZU Tracron M3L Track Lights

Product Data Sheet

618710.000



Technical Data

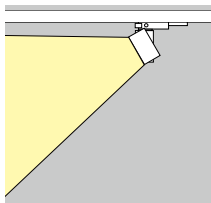
Light source: LED
 Wattage: 28W
 Voltage: 220-240VAC
 Nominal luminous flux: 2280lm
 Beam angle: Wallwash
 Color temperature: 3000K, warm white
 Color Rendering Index: 95

Technical Characteristics

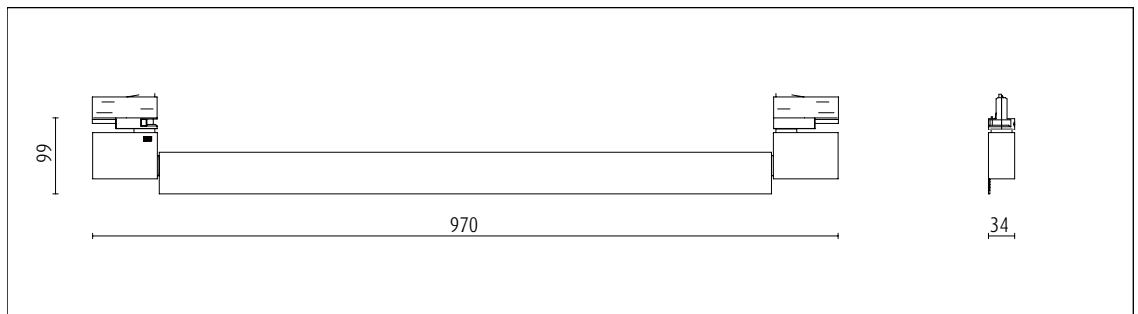
Protection degree: IP20 (En60598)
 Insulation class: Class I (En60598)

Product Description

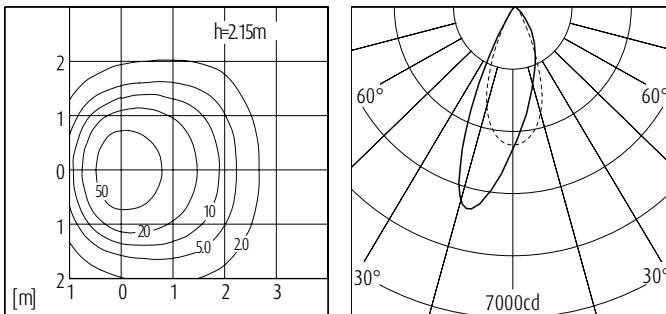
Housing and bracket: cast aluminium, powder-coated, Black. 0°- 270°tilt.
 Bracket rotatable on 3-circuit adapter.
 3-circuit adapter: plastic.
 Including electronic control, dimmable with potentiometer for brightness control 0-100%.
 Replaceable LED module: high-power LEDs on metal-core PCB, Collimating lens made of optical polymer.
 Front cover: plastic.
 Weight: 1.37kg



Dimension



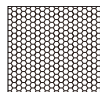
Lighting Distribution Planning Data



All data, images, and specifications are for reference only and may be changed due to product improvement without prior notice.



3 circuit track



Anti-glare slides