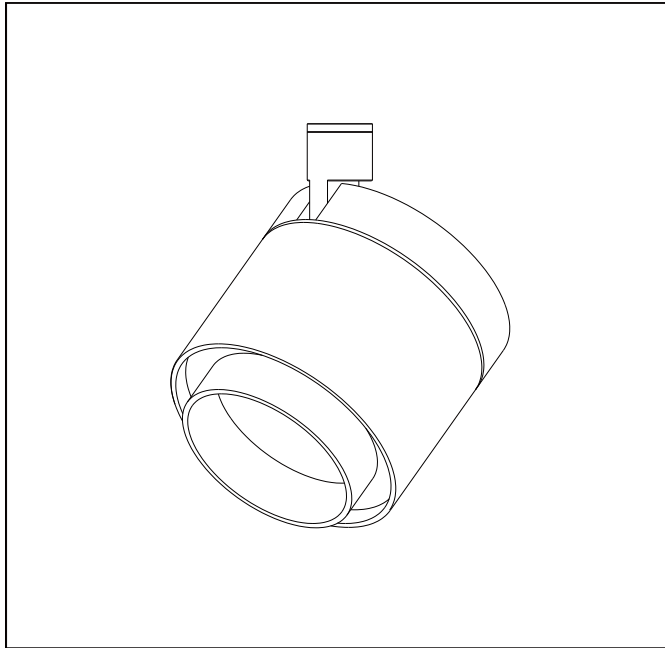


AKZU Sprite X3 Cabinet Light

Product Data Sheet



813087.020

Technical Data

Light source: LED
 Wattage: 6W
 Voltage: 9VDC (series circuit), 12/24VDC (parallel circuit)
 Nominal luminous flux: 650lm
 Beam angle: 29°, flood
 Color temperature: 4000K, neutral white
 Color Rendering Index: 85

Technical Characteristics

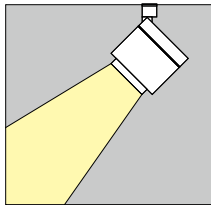
Protection degree: IP20 (En60598)
 Insulation class: Class III (En60598)

Product Description

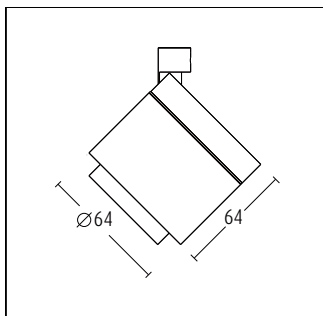
Housing and rear cover: anodised aluminium, black,
 0° - 90° tilt.
 Bracket: anodised aluminium, with permanent magnets
 for easy installation, black.
 Spherolit lens and collimating lens system made of
 optical polymer, directs the light precisely and without
 loss.

Lightsystem

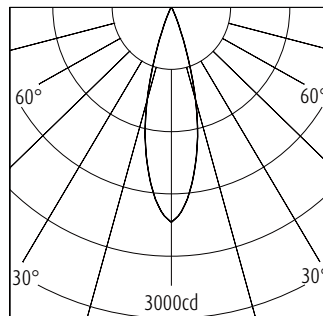
DALI, group dimmer are alternative.
 High performance electronic control gear to be ordered
 separately.
 Weight: 0.23kg



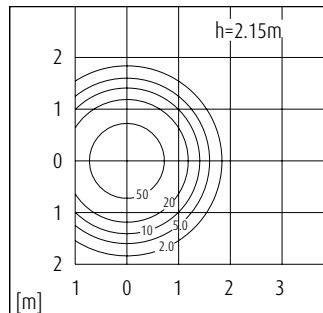
Dimension



Lighting Distribution Planning Data



H(m)	D(m)	E(lx)
1.0	0.51	2080
1.5	0.76	925
2.0	1.02	520
2.5	1.27	333
3.0	1.53	231

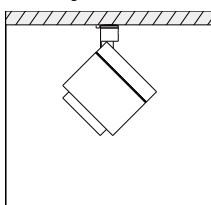


$\eta_{LOR}=80\%$
 UGR=10.1

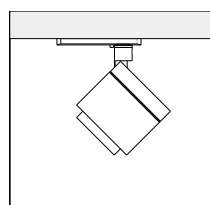
E[lx]	100lx	500lx
a[m ²]	n=1	n=1
1		

Mounting

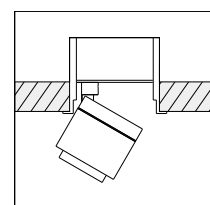
All data, images,
 and specifications
 are for reference only and
 may be changed due to
 product improvement
 without prior notice.



Surface
 mounting



Track
 mounting



Recessed
 mounting

More details at
www.akzu.com/813087