

813078.010

**Technical Data**

Light source: LED  
 Wattage: 6W  
 Voltage: 9VDC (series circuit), 12/24VDC (parallel circuit)  
 Nominal luminous flux: 650lm  
 Beam angle: 16°, direct spot, spot  
 Color temperature: 4000K, neutral white  
 Color Rendering Index: 85

**Technical Characteristics**

Protection degree: IP20 (En60598)  
 Insulation class: Class III (En60598)

**Product Description**

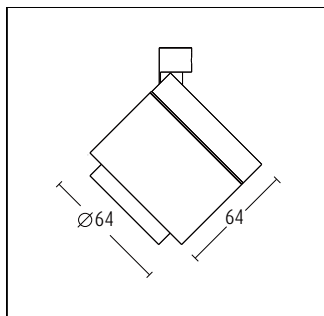
Housing and rear cover: anodised aluminium, black, 0° - 90° tilt.  
 Bracket: anodised aluminium, with permanent magnets for easy installation, black.  
 Spherulit lens and collimating lens system made of optical polymer, directs the light precisely and without loss.

**Lightsystem**

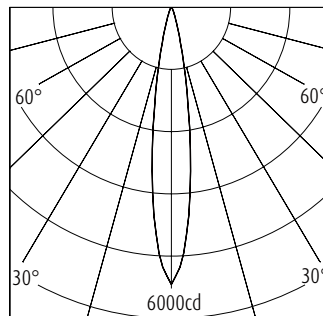
DALI, with dimmer are alternative.  
 High performance electronic control gear to be ordered separately.  
 Weight: 0.23kg



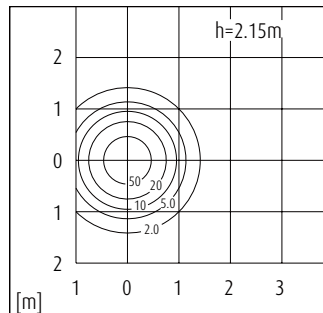
**Dimension**



**Lighting Distribution Planning Data**



H(m)	D(m)	E(lx)
1.0	0.26	5305
1.5	0.39	2358
2.0	0.52	1326
2.5	0.65	849
3.0	0.78	589

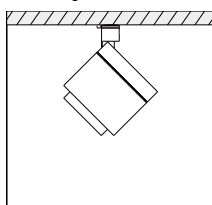


$\eta_{LOR}=80\%$   
 UGR=7.7

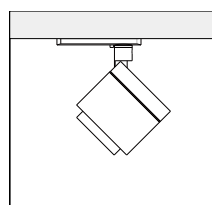
E[lx]	100lx	500lx
a[m <sup>2</sup> ]	n=1	n=1
100		

**Mounting**

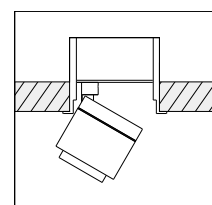
All data, images, and specifications are for reference only and may be changed due to product improvement without prior notice.



Surface mounting



Track mounting



Recessed mounting