

813051.010

**Technical Data**

Light source: LED  
 Wattage: 2W  
 Voltage: 9VDC (series circuit), 12/24VDC (parallel circuit)  
 Nominal luminous flux: 220lm  
 Beam angle: 6°, direct spot  
 Color temperature: 4000K, neutral white  
 Color Rendering Index: 85

**Technical Characteristics**

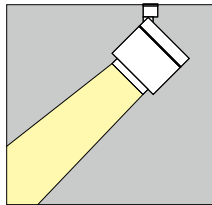
Protection degree: IP20 (En60598)  
 Insulation class: Class III (En60598)

**Product Description**

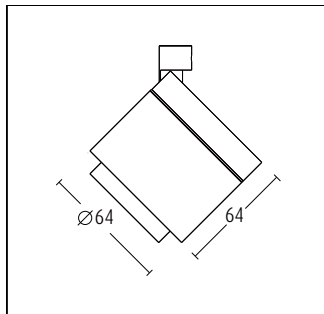
Housing and rear cover: anodised aluminium, black, 0° - 90° tilt.  
 Bracket: anodised aluminium, with permanent magnets for easy installation, black.  
 Spherulit lens and collimating lens system made of optical polymer, directs the light precisely and without loss.

**Lightsystem**

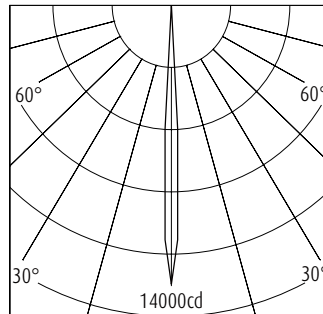
DALI, group dimmer are alternative.  
 High performance electronic control gear to be ordered separately.  
 Weight: 0.23kg



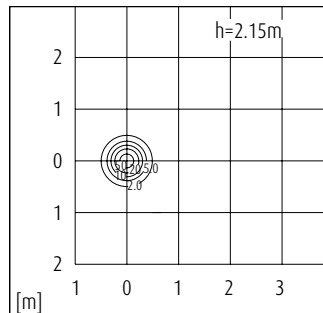
**Dimension**



**Lighting Distribution Planning Data**



| H(m) | D(m) | E(lx) |
|------|------|-------|
| 1.0  | 0.11 | 12597 |
| 1.5  | 0.16 | 5599  |
| 2.0  | 0.22 | 3149  |
| 2.5  | 0.27 | 2016  |
| 3.0  | 0.32 | 1400  |

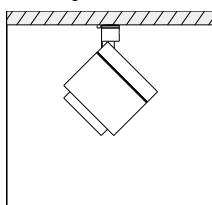


$\eta_{LOR}=80\%$   
 UGR=6.6

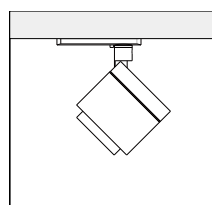
| E[lx]              | 100lx | 500lx |
|--------------------|-------|-------|
| a[m <sup>2</sup> ] | n=1   | n=3   |
| 1                  |       |       |

All data, images, and specifications are for reference only and may be changed due to product improvement without prior notice.

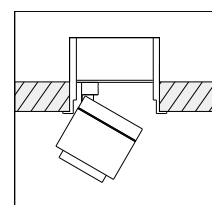
**Mounting**



Surface mounting



Track mounting



Recessed mounting

More details at [www.akzu.com/813051](http://www.akzu.com/813051)