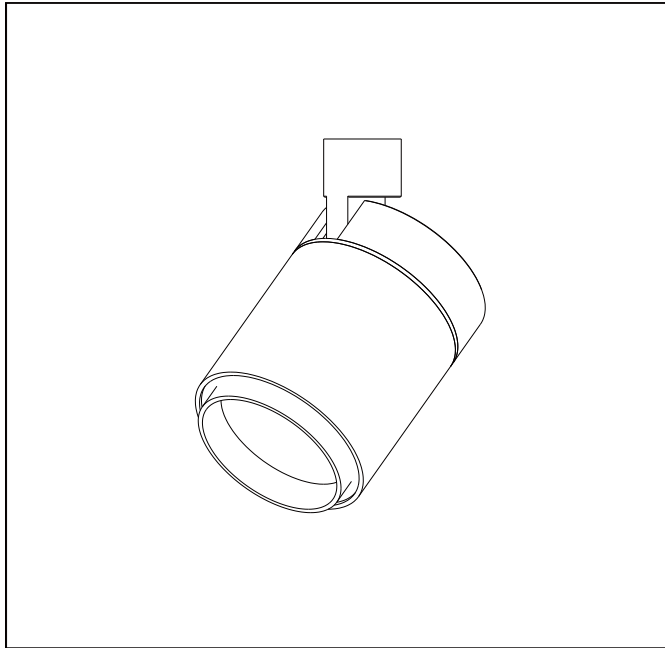


# AKZU Sprite X2 Cabinet Light

Product Data Sheet



812205.030

**Technical Data**

Light source: LED  
 Wattage: 2W  
 Voltage: 3VDC (series circuit), 12/24VDC (parallel circuit)  
 Nominal luminous flux: 220lm  
 Beam angle: 55°x19°, oval flood  
 Color temperature: 4000K, neutral white  
 Color Rendering Index: 85

**Technical Characteristics**

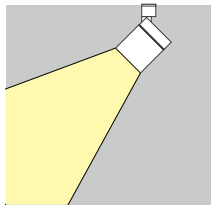
Protection degree: IP20 (En60598)  
 Insulation class: Class III (En60598)

**Product Description**

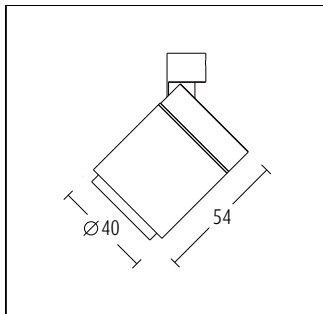
Housing and rear cover: anodised aluminium, black, 0° - 90° tilt.  
 Bracket: anodised aluminium, with permanent magnets for easy installation, black.  
 Spherulit lens and collimating lens system made of optical polymer, directs the light precisely and without loss.

**Lightsystem**

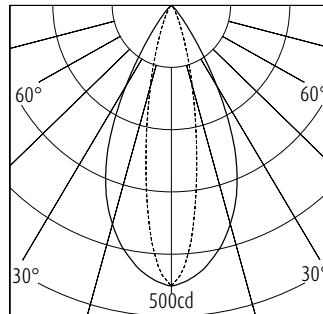
DALI, with dimmer are alternative.  
 High performance electronic control gear to be ordered separately.  
 Weight: 0.10kg



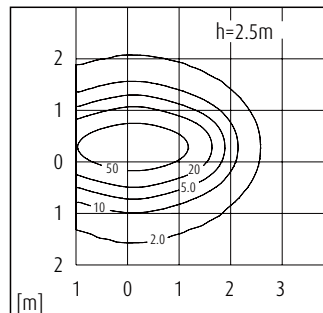
**Dimension**



**Lighting Distribution Planning Data**



H(m)	D(m) C0	D(m) C90	E(lx)
0.5	0.50	0.19	1781
1.0	1.00	0.38	445
1.5	1.50	0.57	198
2.0	2.00	0.76	111
2.5	2.50	0.95	49

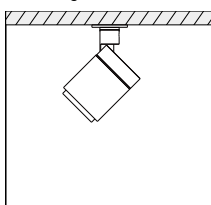


$\eta_{LOR}=80\%$   
 UGR=12.9

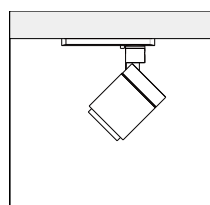
E[lx]	100lx	500lx
a[m²]	n=1	n=3
1		

**Mounting**

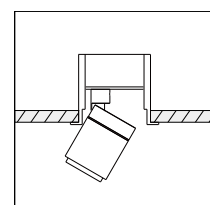
All data, images, and specifications are for reference only and may be changed due to product improvement without prior notice.



Surface mounting



Track mounting



Recessed mounting

More details at [www.akzu.com/812206](http://www.akzu.com/812206)