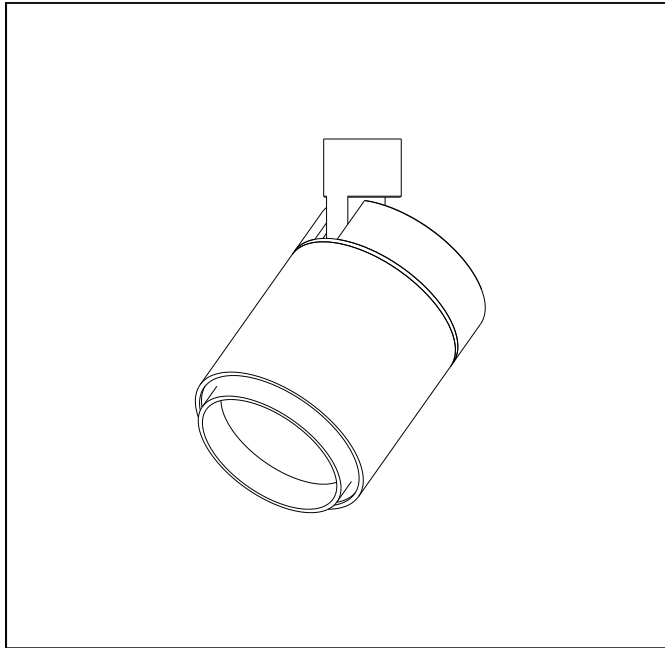


# AKZU Sprite X2 Cabinet Light

Product Data Sheet



812087.020

**Technical Data**

Light source: LED  
 Wattage: 2W  
 Voltage: 3VDC (series circuit), 12/24VDC (parallel circuit)  
 Nominal luminous flux: 220lm  
 Beam angle: 29°, flood  
 Color temperature: 4000K, neutral white  
 Color Rendering Index: 85

**Technical Characteristics**

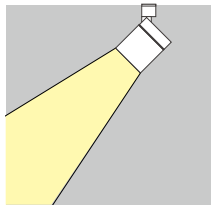
Protection degree: IP20 (En60598)  
 Insulation class: Class III (En60598)

**Product Description**

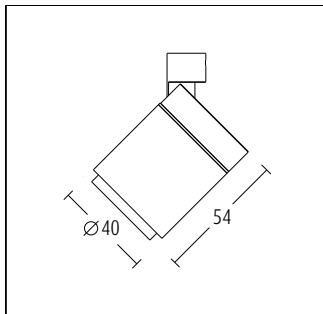
Housing and rear cover: anodised aluminium, black, 0° - 90° tilt.  
 Bracket: anodised aluminium, with permanent magnets for easy installation, black.  
 Spherolit lens and collimating lens system made of optical polymer, directs the light precisely and without loss.

**Lightsystem**

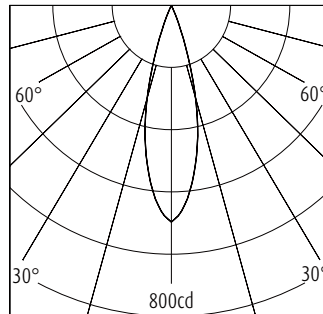
DALI, group dimmer are alternative.  
 High performance electronic control gear to be ordered separately.  
 Weight: 0.10kg



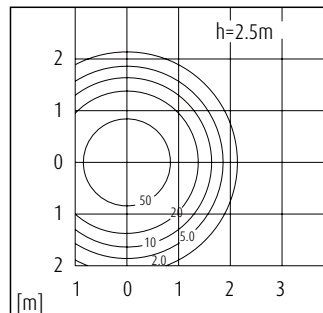
**Dimension**



**Lighting Distribution Planning Data**



H(m)	D(m)	E(lx)
0.5	0.26	2708
1.0	0.53	677
1.5	0.79	300
2.0	1.06	170
2.5	1.32	109

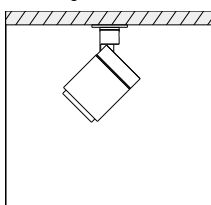


$\eta_{LOR}=80\%$   
 UGR=10.1

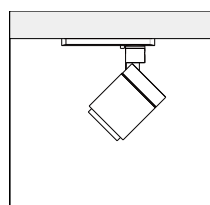
E[lx]	100lx	500lx
a[m <sup>2</sup> ]	n=1	n=4
1		

**Mounting**

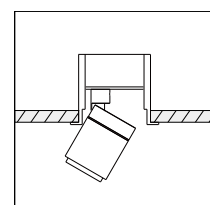
All data, images, and specifications are for reference only and may be changed due to product improvement without prior notice.



Surface mounting



Track mounting



Recessed mounting

More details at [www.akzu.com/812087](http://www.akzu.com/812087)