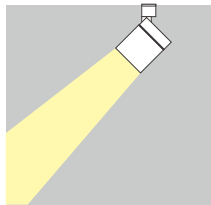
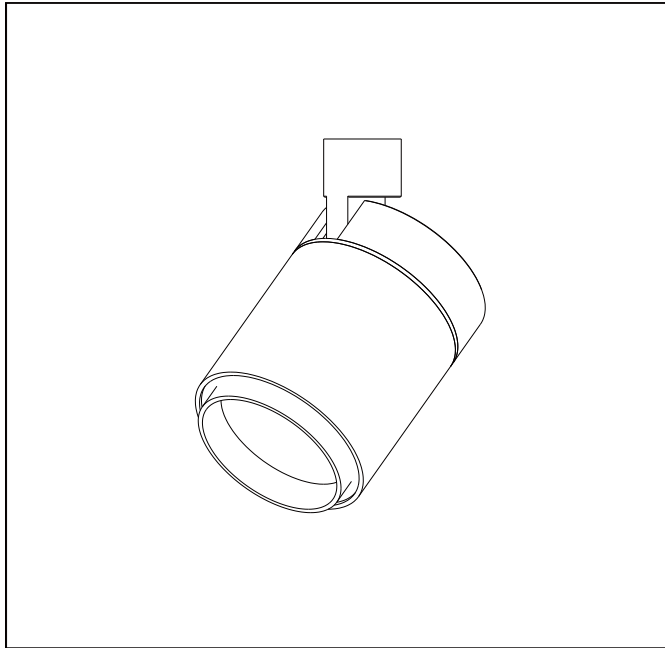


# AKZU Sprite X2 Cabinet Light

Product Data Sheet



812066.020

**Technical Data**

Light source: LED  
 Wattage: 2W  
 Voltage: 3VDC (series circuit), 12/24VDC (parallel circuit)  
 Nominal luminous flux: 220lm  
 Beam angle: 6°-29°, zoom  
 Color temperature: 4000K, neutral white  
 Color Rendering Index: 85

**Technical Characteristics**

Protection degree: IP20 (En60598)  
 Insulation class: Class III (En60598)

**Product Description**

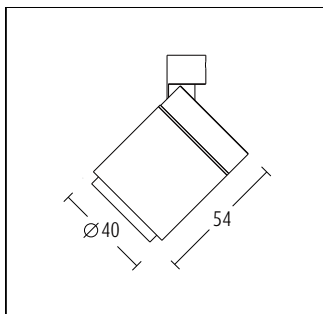
Housing and rear cover: anodised aluminium, black, 0° - 90° tilt.  
 Bracket: anodised aluminium, with permanent magnets for easy installation, black.  
 Spherolit lens and collimating lens system made of optical polymer, directs the light precisely and without loss.

**Lightsystem**

DALI, with dimmer are alternative.  
 High performance electronic control gear to be ordered separately.  
 Weight: 0.10kg



**Dimension**



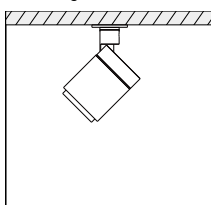
**Lighting Distribution Planning Data**

6°		
H(m)	D(m)	E(lx)
0.5	0,05	50395
1.0	0,11	12599
1.5	0,16	5599
2.0	0,22	3150
2.5	0,27	2016

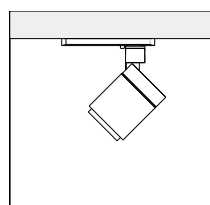
29°		
H(m)	D(m)	E(lx)
0.5	0,11	2708
1.0	0,21	677
1.5	0,32	300
2.0	0,42	170
2.5	0,53	109

**Mounting**

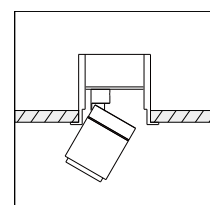
All data, images, and specifications are for reference only and may be changed due to product improvement without prior notice.



Surface mounting



Track mounting



Recessed mounting

More details at [www.akzu.com/812066](http://www.akzu.com/812066)