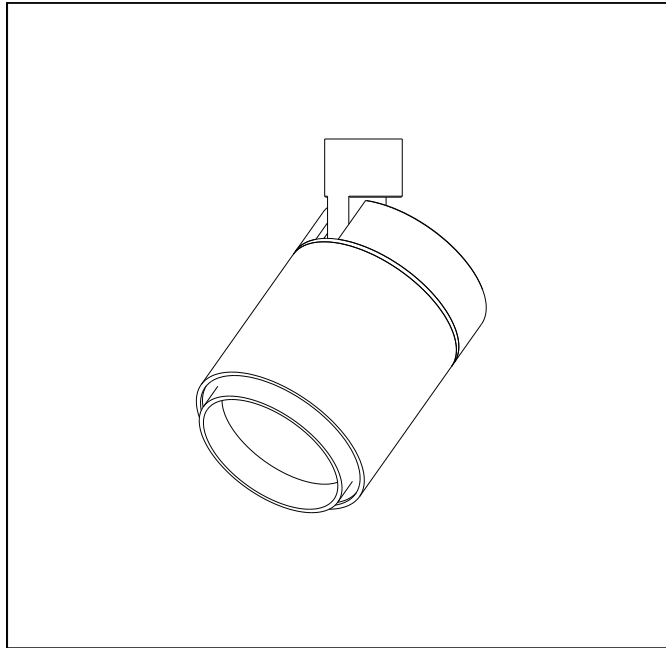




# Sprite X2 Cabinet Light

Product Data Sheet



812063.020

### Technical Data

Light source: LED  
Wattage: 2W  
Voltage: 3VDC (series circuit), 12/24VDC (parallel circuit)  
Nominal luminous flux: 220lm  
Beam angle: 6°-29°, zoom  
Color temperature: 4000K, neutral white  
Color Rendering Index: 85

### Technical Characteristics

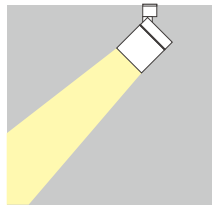
Protection degree: IP20 (En60598)  
Insulation class: Class III (En60598)

### Product Description

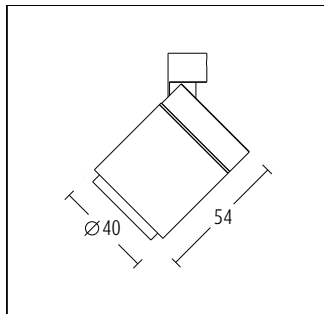
Housing and rear cover: anodised aluminium, black, 0° - 90° tilt.  
Bracket: anodised aluminium, with permanent magnets for easy installation, black.  
Spherolit lens and collimating lens system made of optical polymer, directs the light precisely and without loss.

### Lightsystem

DALI, group dimmer are alternative.  
High performance electronic control gear to be ordered separately.  
Weight: 0.10kg



### Dimension



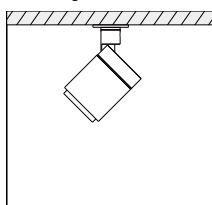
### Lighting Distribution Planning Data

6°		
H(m)	D(m)	E(lx)
0.5	0,05	50395
1.0	0,11	12599
1.5	0,16	5599
2.0	0,22	3150
2.5	0,27	2016

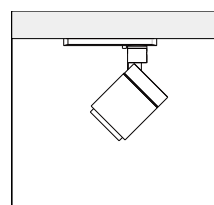
29°		
H(m)	D(m)	E(lx)
0.5	0,11	2708
1.0	0,21	677
1.5	0,32	300
2.0	0,42	170
2.5	0,53	109

### Mounting

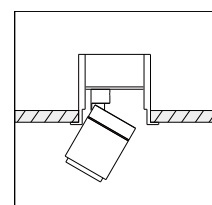
All data, images, and specifications are for reference only and may be changed due to product improvement without prior notice.



Surface mounting



Track mounting



Recessed mounting

More details at [www.akzu.com/812063](http://www.akzu.com/812063)