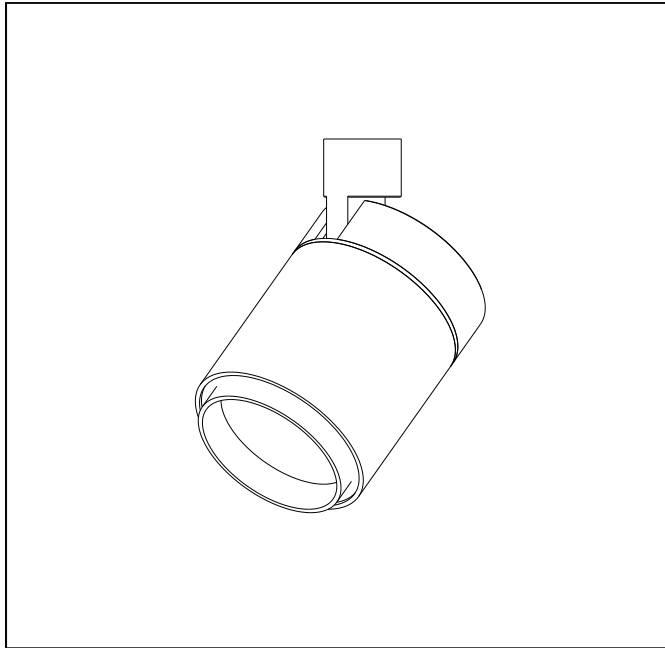




# Sprite X2 Cabinet Light

Product Data Sheet



812063.010

### Technical Data

Light source: LED  
 Wattage: 2W  
 Voltage: 3VDC (series circuit), 12/24VDC (parallel circuit)  
 Nominal luminous flux: 220lm  
 Beam angle: 6°-29°, zoom  
 Color temperature: 4000K, neutral white  
 Color Rendering Index: 85

### Technical Characteristics

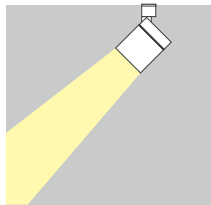
Protection degree: IP20 (En60598)  
 Insulation class: Class III (En60598)

### Product Description

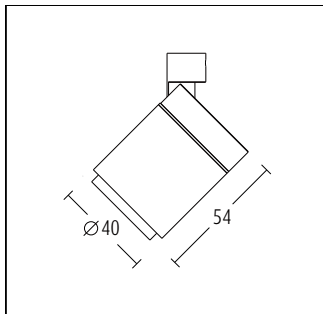
Housing and rear cover: anodised aluminium, black, 0° - 90° tilt.  
 Bracket: anodised aluminium, with permanent magnets for easy installation, black.  
 Spherulit lens and collimating lens system made of optical polymer, directs the light precisely and without loss.

### Lightsystem

DALI, group dimmer are alternative.  
 High performance electronic control gear to be ordered separately.  
 Weight: 0.10kg



### Dimension



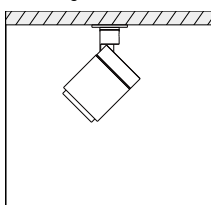
### Lighting Distribution Planning Data

| 6°   |      |       |
|------|------|-------|
| H(m) | D(m) | E(lx) |
| 0.5  | 0.05 | 50395 |
| 1.0  | 0.11 | 12599 |
| 1.5  | 0.16 | 5599  |
| 2.0  | 0.22 | 3150  |
| 2.5  | 0.27 | 2016  |

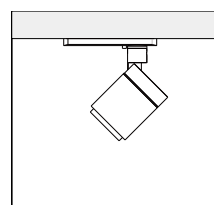
| 29°  |      |       |
|------|------|-------|
| H(m) | D(m) | E(lx) |
| 0.5  | 0.11 | 2708  |
| 1.0  | 0.21 | 677   |
| 1.5  | 0.32 | 300   |
| 2.0  | 0.42 | 170   |
| 2.5  | 0.53 | 109   |

### Mounting

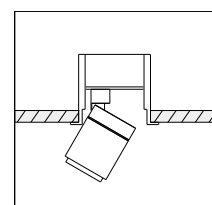
All data, images, and specifications are for reference only and may be changed due to product improvement without prior notice.



Surface mounting



Track mounting



Recessed mounting

More details at [www.akzu.com/812063](http://www.akzu.com/812063)