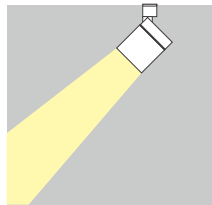
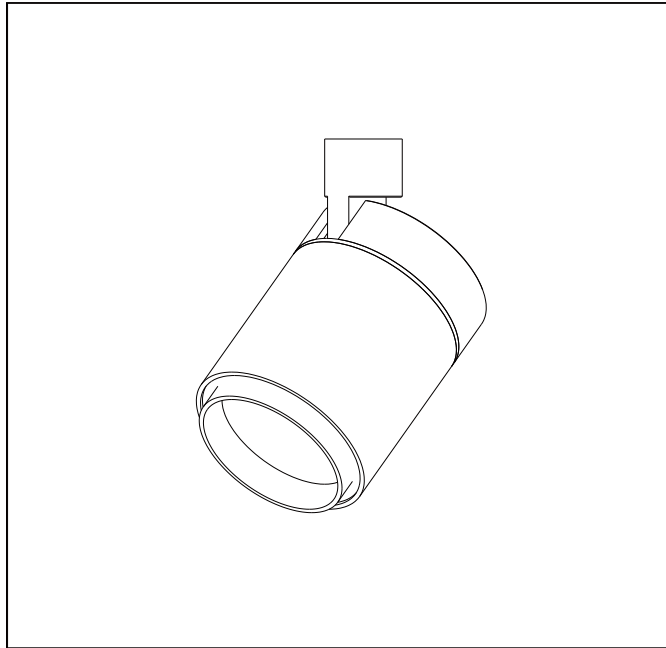




# Sprite X2 Cabinet Light

Product Data Sheet



812016.030

### Technical Data

Light source: LED  
Wattage: 2W  
Voltage: 3VDC (series circuit), 12/24VDC (parallel circuit)  
Nominal luminous flux: 160lm  
Beam angle: 6°-29°, zoom  
Color temperature: 3000K, warm white  
Color Rendering Index: 95

### Technical Characteristics

Protection degree: IP20 (En60598)  
Insulation class: Class III (En60598)

### Product Description

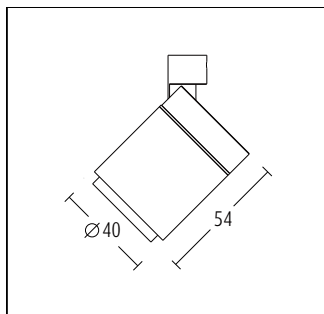
Housing and rear cover: anodised aluminium, black, 0° - 90° tilt.  
Bracket: anodised aluminium, with permanent magnets for easy installation, black.  
Spherulit lens and collimating lens system made of optical polymer, directs the light precisely and without loss.

### Lightsystem

DALI, with dimmer are alternative.  
High performance electronic control gear to be ordered separately.  
Weight: 0.10kg



### Dimension



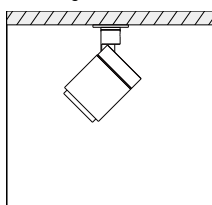
### Lighting Distribution Planning Data

6°		
H(m)	D(m)	E(lx)
0.5	0,05	36651
1.0	0,11	9163
1.5	0,16	4072
2.0	0,22	2291
2.5	0,27	1466

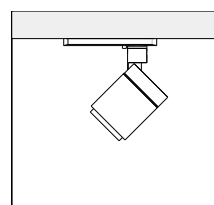
29°		
H(m)	D(m)	E(lx)
0.5	0,11	1970
1.0	0,21	493
1.5	0,32	219
2.0	0,42	123
2.5	0,53	78

### Mounting

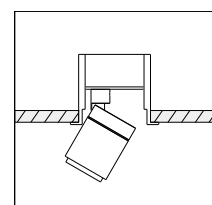
All data, images, and specifications are for reference only and may be changed due to product improvement without prior notice.



Surface mounting



Track mounting



Recessed mounting

More details at [www.akzu.com/812016](http://www.akzu.com/812016)