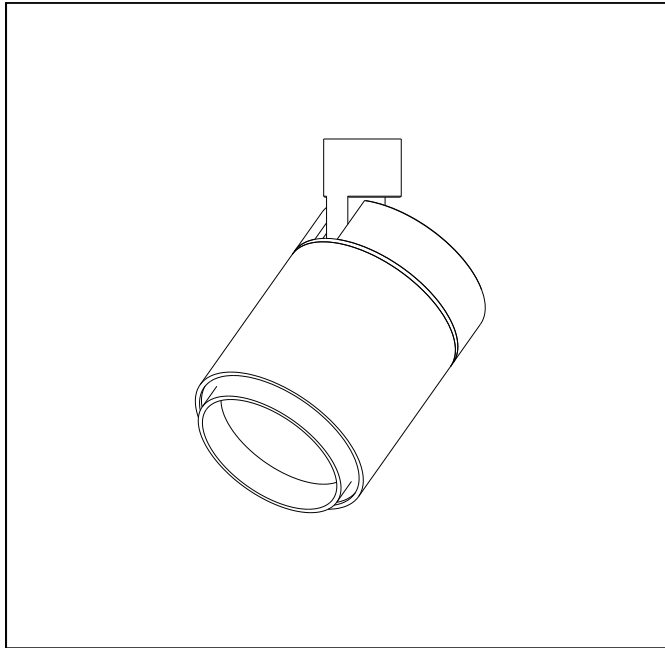




# Sprite X2 Cabinet Light

Product Data Sheet



812016.010

### Technical Data

Light source: LED  
Wattage: 2W  
Voltage: 3VDC (series circuit), 12/24VDC (parallel circuit)  
Nominal luminous flux: 160lm  
Beam angle: 6°-29°, zoom  
Color temperature: 3000K, warm white  
Color Rendering Index: 95

### Technical Characteristics

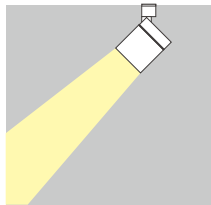
Protection degree: IP20 (En60598)  
Insulation class: Class III (En60598)

### Product Description

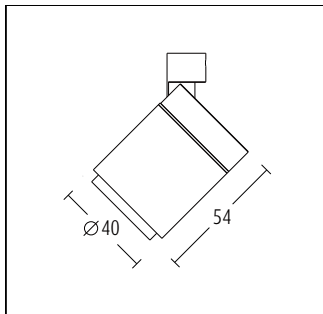
Housing and rear cover: anodised aluminium, black, 0° - 90° tilt.  
Bracket: anodised aluminium, with permanent magnets for easy installation, black.  
Spherolit lens and collimating lens system made of optical polymer, directs the light precisely and without loss.

### Lightsystem

DALI, with dimmer are alternative.  
High performance electronic control gear to be ordered separately.  
Weight: 0.10kg



### Dimension



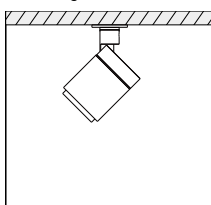
### Lighting Distribution Planning Data

6°		
H(m)	D(m)	E(lx)
0.5	0,05	36651
1.0	0,11	9163
1.5	0,16	4072
2.0	0,22	2291
2.5	0,27	1466

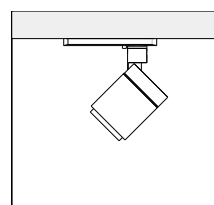
29°		
H(m)	D(m)	E(lx)
0.5	0,11	1970
1.0	0,21	493
1.5	0,32	219
2.0	0,42	123
2.5	0,53	78

All data, images, and specifications are for reference only and may be changed due to product improvement without prior notice.

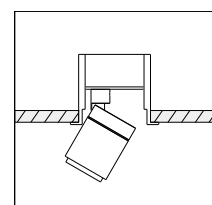
### Mounting



Surface mounting



Track mounting



Recessed mounting

More details at [www.akzu.com/812016](http://www.akzu.com/812016)