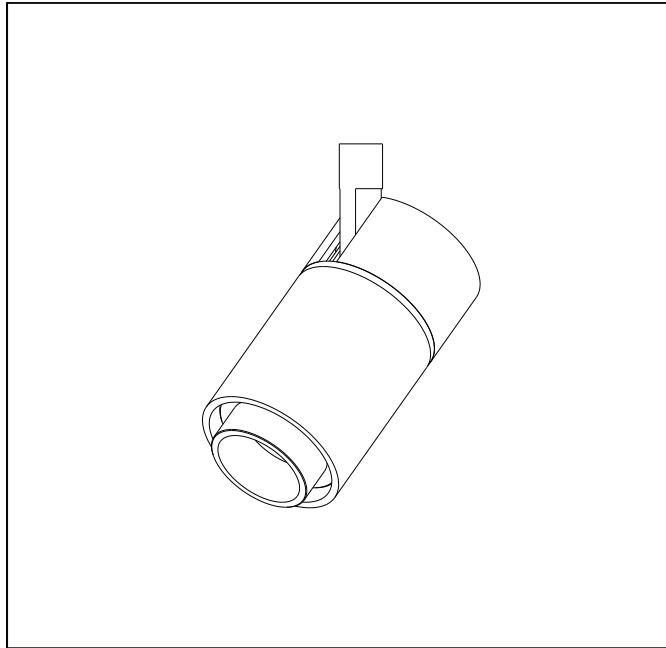




Sprite X1 Cabinet Light

Product Data Sheet

811049.020



Technical Data

Light source: LED
Wattage: 1W
Voltage: 3VDC
Nominal luminous flux: 85lm
Beam angle: 6°-29°, zoom
Color temperature: 3000K, warm white
Color Rendering Index: 95

Technical Characteristics

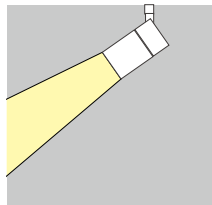
Protection degree: IP20 (En60598)
Insulation class: Class III (En60598)

Product Description

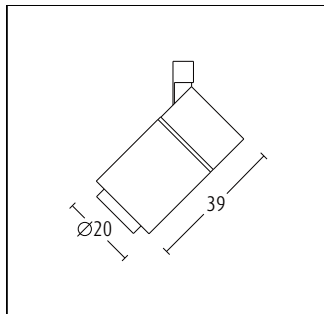
Housing and rear cover: anodised aluminium, black.
Bracket: anodised aluminium, black.
Bracket rotatable 0-145° for stand mounting, 0-90° for surface mounting, 0-45° for recessed mounting, 0-15° for table mounting.
Spherulit lens and collimating lens system made of optical polymer, directs the light precisely and without loss.

Lightsystem

DALI, group dimmer are alternative.
High performance electronic control gear to be ordered separately.
Weight: 0.02kg



Dimension



Lighting Distribution Planning Data

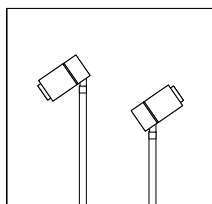
6°		
H(m)	D(m)	E(lx)
0.2	0.02	121693
0.4	0.04	30423
0.6	0.06	13521
0.8	0.09	7606
1.0	0.11	4868

29°		
H(m)	D(m)	E(lx)
0.2	0.11	6540
0.4	0.21	1635
0.6	0.32	727
0.8	0.42	409
1.0	0.53	262

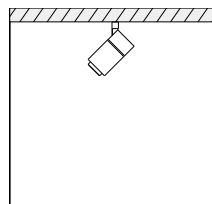
All data, images, and specifications are for reference only and may be changed due to product improvement without prior notice.

More details at www.akzu.com/811049

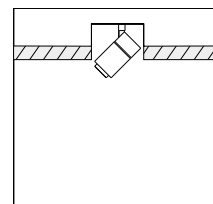
Mounting



Stand mounting



Surface mounting



Recessed mounting