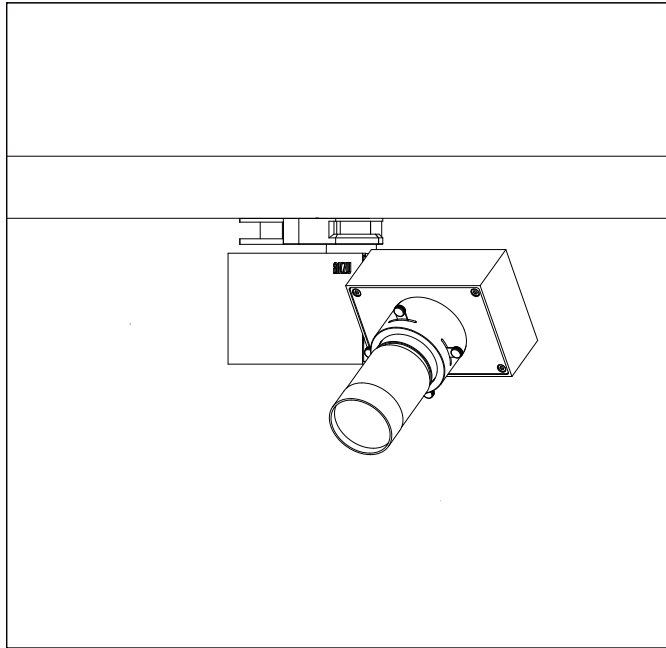




# DUX A3 Framing Projector

Product Data Sheet

664066.000



### Technical Data

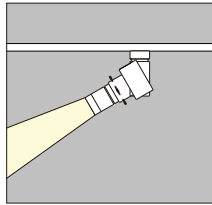
Light source: LED  
 Wattage: 12W  
 Voltage: 220-240VAC  
 Nominal luminous flux: 1310lm  
 Beam angle: max 19°  
 Color temperature: 4000K, neutral white  
 Color Rendering Index: 85  
 SDCM: <2

### Technical Characteristics

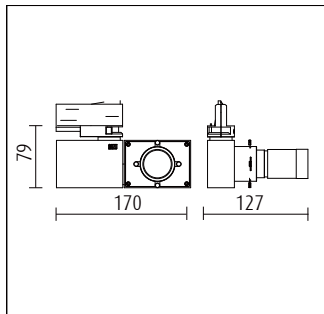
Protection degree: IP20 (EN60598)  
 Insulation class: Class I (EN60598)

### Production Description

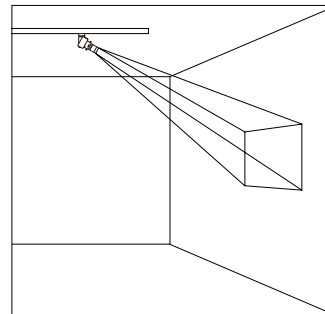
Housing and bracket: cast aluminium, powder-coated, black. 0°- 270° tilt.  
 Bracket rotatable through 360° on 3-circuit adapter.  
 3-circuit adapter: plastic.  
 Including electronic control, DALI Plug & Play.  
 Replaceable LED module: chip on board.  
 Weight: 0.70kg



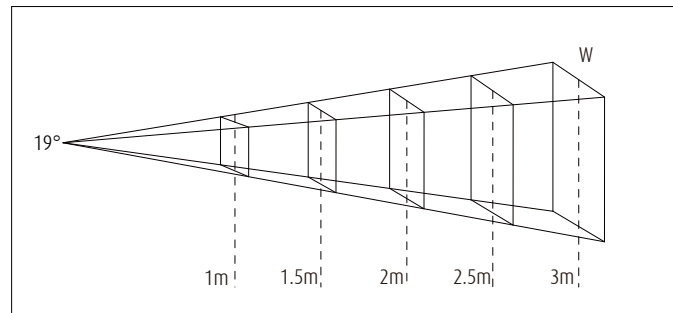
### Dimension



### Lighting Distribution Planning Data

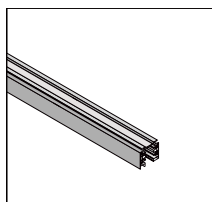


| H(m) | D(m) | E(lx) |
|------|------|-------|
| 1.0  | 0.23 | 920   |
| 1.5  | 0.35 | 408   |
| 2.0  | 0.47 | 229   |
| 2.5  | 0.59 | 146   |
| 3.0  | 0.71 | 102   |

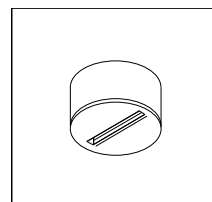


All data, images, and specifications are for reference only and may be changed due to product improvement without prior notice.

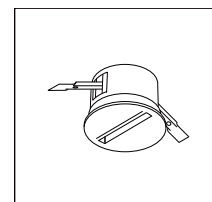
More details at [www.akzu.com/664067](http://www.akzu.com/664067)



3 circuit track



Surface mounted universal mono track point



Recessed mounted universal mono track point