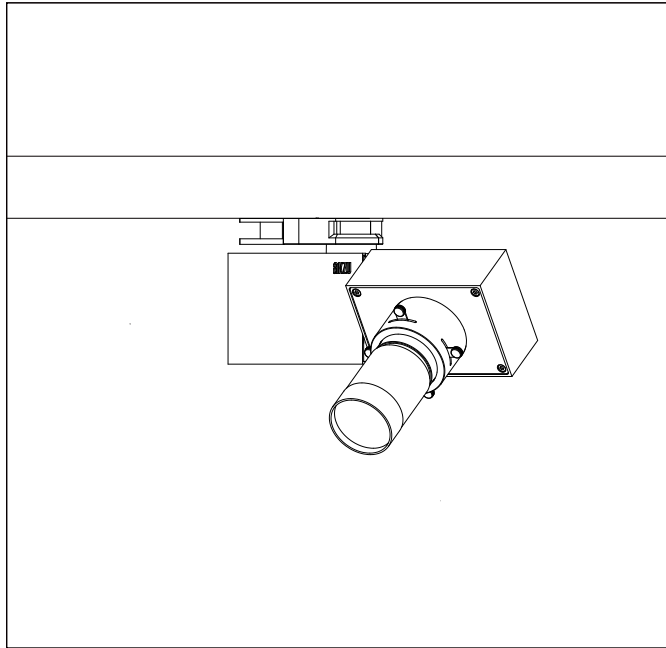




DUX A3 Framing Projector

Product Data Sheet

664064.000



Technical Data

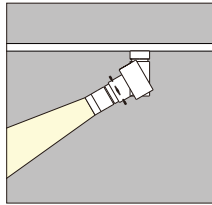
Light source: LED
 Wattage: 12W
 Voltage: 220-240VAC
 Nominal luminous flux: 1310lm
 Beam angle: max 19°
 Color temperature: 4000K, neutral white
 Color Rendering Index: 85
 SDCM: <2

Technical Characteristics

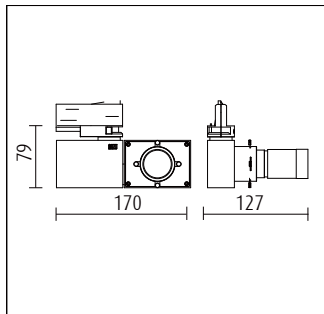
Protection degree: IP20 (EN60598)
 Insulation class: Class I (EN60598)

Production Description

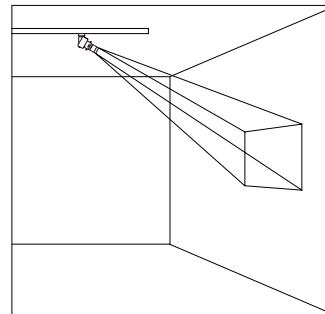
Housing and bracket: cast aluminium, powder-coated, black. 0°- 270° tilt.
 Bracket rotatable through 360° on 3-circuit adapter.
 3-circuit adapter: plastic.
 Including electronic control, dimmable with potentiometer for brightness control 0-100%.
 Replaceable LED module: chip on board.
 Weight: 0.70kg



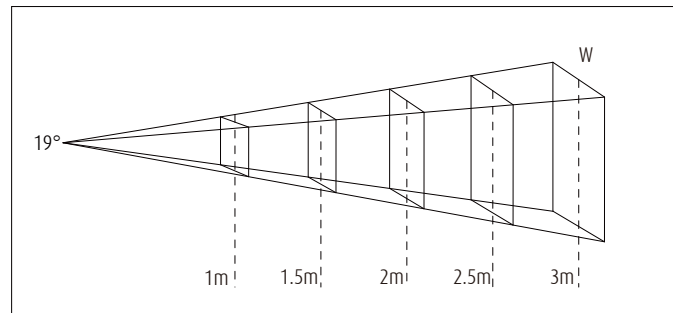
Dimension



Lighting Distribution Planning Data

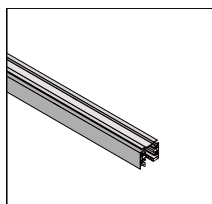


| H(m) | D(m) | E(lx) |
|------|------|-------|
| 1.0 | 0.23 | 920 |
| 1.5 | 0.35 | 408 |
| 2.0 | 0.47 | 229 |
| 2.5 | 0.59 | 146 |
| 3.0 | 0.71 | 102 |

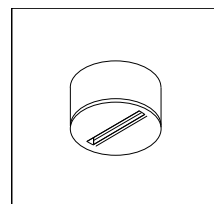


All data, images, and specifications are for reference only and may be changed due to product improvement without prior notice.

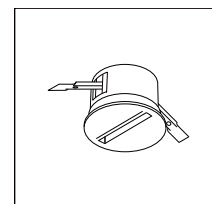
More details at www.akzu.com/664064



3 circuit track



Surface mounted universal mono track point



Recessed mounted universal mono track point