



The demands set on ground-recessed uplighters differ depending on the location where they are to be installed. In addition to the circular luminaires with their typical light cone, we are offering square luminaires for uniform illumination.

These ground-recessed luminaires come in two different versions:

- with a wall washer reflector system for façade illumination from a short distance
- with an asymmetrical reflector for façade illumination when the luminaires are further away from the building.

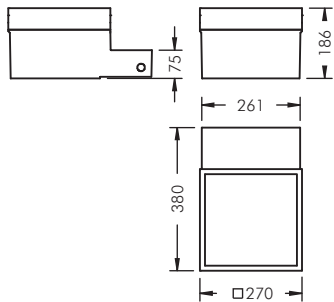
In the flush mount version, these luminaires are supplied with a slim frame and without any visible screws. The light fittings are completely level with the surrounding area.

Alternatively, for uneven areas, there is a version with a wider stainless steel frame which covers the groove around the fixture.

Design: mld



Ground-recessed luminaires with asymmetrical or wall washer reflectors produce uniform façade illumination.



Ground-recessed uplighters Asymmetrical wide beam, for flush installation

For ceramic metal halide lamps (HIT-DE-CE) and high pressure sodium lamps (HST-DE), protection class I, IP67 \blacklozenge \blacktriangle \blacktriangledown , IK10 cast aluminium housing, double polyester powder coated, asymmetrical high purity aluminium reflector, tilt range 0-5°, all exterior steel parts stainless steel, with flush mounted tempered safety glass, for loads up to max. 5000 kg (according to DIN IEC 60598-2-13), silicon gasket, frame secured by concealed stainless steel screws, stainless steel M20 cable gland with 0.8m cable H05RN-F3G1, integral LPF control gear, HPP available on request (see page 362), supplied without lamp

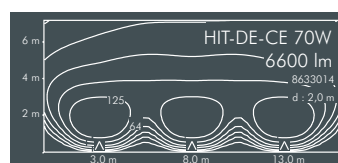
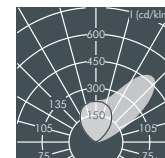
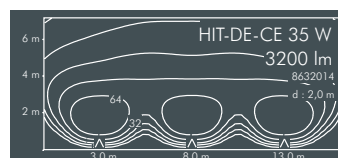
Ground-recessed uplighter, for flush installation, asymmetrical distribution

Part number	Lamp	Lampholder	Temperature*	Tilt range	Half beam angle γ	
8 632 014 009	HIT-DE-CE 35 W General Electric	Rx7s	70°	0 - 5°	C 0 - 180	C 90 - 270

* With the heat block filter (see accessories) the surface temperature of the glass is reduced to **60° C.**

Part number	Lamp	Lampholder	Temperature*	Tilt range	Half beam angle γ	
8 633 014 009	HIT-DE-CE 70 W HST-DE 70 W	Rx7s	75°	0 - 5°	C 0 - 180	C 90 - 270

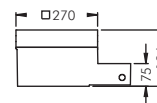
* With the heat block filter (see accessories) the surface temperature of the glass is reduced to **65° C.**



Part number	Description
. . . 1. . 009	Luminaire with slip-resistant glass*

* The light distribution becomes more diffused.

Part number	Description
126 0 270 000	Installation sleeve, polypropylene, compulsory for flush installation



The frameless glass is flush with the surrounding area and is set into a stainless steel rim (part of the installation sleeve).



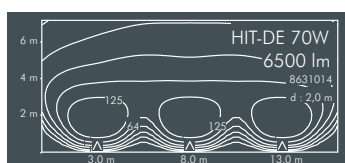
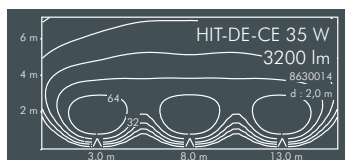
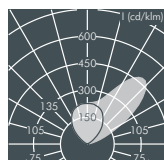
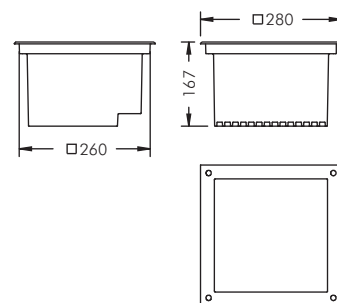
Lamps (see page 364-365)

HIT-DE-CE HST-DE



Ground-recessed uplighters Asymmetrical wide beam, with stainless steel trim

For ceramic metal halide lamps (HIT-DE-CE) and high pressure sodium lamps (HST-DE), protection class I, IP67 $\blacklozenge \blacktriangle \blacktriangledown$, IK10 cast aluminium housing, double polyester powder coated, asymmetrical high purity aluminium reflector, tilt range 0-5°, all exterior steel parts stainless steel, with tempered safety glass flush with trim, for loads up to max. 5000 kg (according to DIN IEC 60598-2-13), silicon gasket, Stainless steel trim and screws, stainless steel M20 cable gland with 0.8m cable H05RN-F3G1, integral LPF control gear, HPP available on request (see page 362), supplied without lamp



Ground-recessed uplighter, with stainless steel trim, asymmetrical distribution

Part number	Lamp	Lampholder	Temperature*	Tilt range	Half beam angle γ	
					C 0 - 180	C 90 - 270
8 630 014 009	HIT-DE-CE 35 W General Electric	Rx7s	70°	0 - 5°	60°	85°

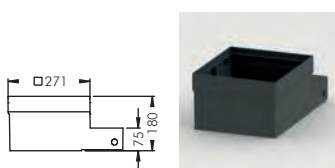
* With the heat block filter (see accessories) the surface temperature of the glass is reduced to **60° C.**

Part number	Lamp	Lampholder	Temperature*	Tilt range	Half beam angle γ	
					C 0 - 180	C 90 - 270
8 631 014 009	HIT-DE-CE 70 W HST-DE 70 W	Rx7s	75°	0 - 5°	60°	85°

* With the heat block filter (see accessories) the surface temperature of the glass is reduced to **65° C.**

Part number	Description
... 1.. 009	Luminaire with slip-resistant glass*

* The light distribution becomes more diffused.



Accessory for ground-recessed uplighter with stainless steel trim

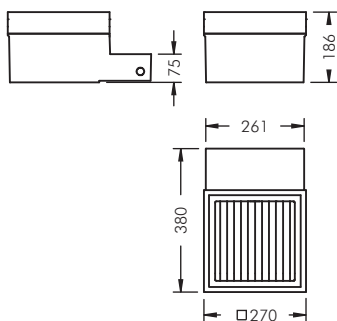
Part number	Description
126 0 269 000	Installation sleeve, polypropylene, for luminaire with overlapping trim

Lamps (see page 364-365)

HIT-DE-CE

HST-DE





Ground-recessed uplighters Wall washer, for flush installation

For ceramic metal halide lamps (HIT-DE-CE) and high pressure sodium lamps (HST-DE), protection class I, IP67 $\diamond \blacktriangle \blacktriangle$, IK10 cast aluminium housing, double polyester powder coated, high purity aluminium reflector with wall washer distribution, tilt range 0-5°, all exterior steel parts stainless steel, with flush mounted tempered safety glass, for loads up to max. 5000 kg (according to DIN IEC 60598-2-13), silicon gasket, frame secured by concealed stainless steel screws, stainless steel M20 cable gland with 0.8m cable H05RN-F3G1, integral LPF control gear, HPF available on request (see page 362), supplied without lamp

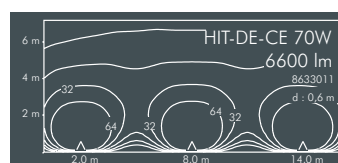
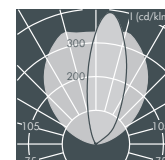
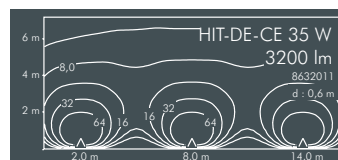
Ground-recessed uplighter, for flush installation, wall washer optics

Part number	Lamp	Lampholder	Temperature*	Tilt range	Half beam angle γ	
8 632 011 009	HIT-DE-CE 35 W General Electric	Rx7s	73°	0 - 5°	C 0 - 180	C 90 - 270

* With the heat block filter (see accessories) the surface temperature of the glass is reduced to **63° C.**

Part number	Lamp	Lampholder	Temperature*	Tilt range	Half beam angle γ	
8 633 011 009	HIT-DE-CE 70 W HST-DE 70 W	Rx7s	78°	0 - 5°	C 0 - 180	C 90 - 270

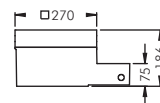
* With the heat block filter (see accessories) the surface temperature of the glass is reduced to **68° C.**



Part number	Description
. . . 1 . . 009	Luminaire with slip-resistant glass*

* The light distribution becomes more diffused.

Part number	Description
126 0 270 000	Installation sleeve, polypropylene, compulsory , for flush installation



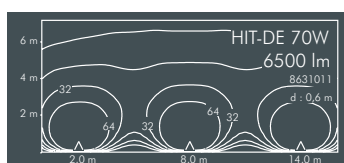
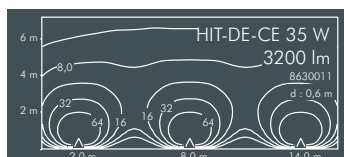
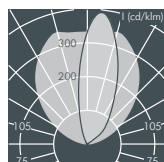
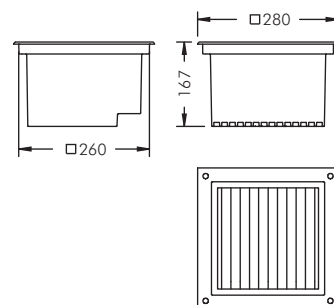
Lamps (see page 364-365)

HIT-DE-CE HST-DE



Ground-recessed uplighters Wall washer with stainless steel trim

For ceramic metal halide lamps (HIT-DE-CE) and high pressure sodium lamps (HST-DE), protection class I, IP67 $\blacklozenge \blacktriangle \blacktriangledown$, IK10 cast aluminium housing, double polyester powder coated, high purity aluminium reflector with wall washer distribution, tilt range 0-5°, all exterior steel parts stainless steel, with flush mounted tempered safety glass, for loads up to max. 5000 kg (according to DIN IEC 60598-2-13), silicon gasket, stainless steel trim and screws, stainless steel M20 cable gland with 0.8m cable H05RN-F3G1, integral LPF control gear, HPF available on request (see page 362), supplied without lamp



Ground-recessed uplighter, with stainless steel trim, wall washer optics

Part number	Lamp	Lampholder	Temperature*	Tilt range	Half beam angle γ	
					C 0 - 180	C 90 - 270
8 630 011 009	HIT-DE-CE 35 W General Electric	Rx7s	73°	0 - 5°	14°	100°

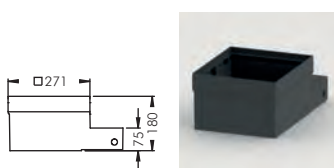
* With the heat block filter (see accessories) the surface temperature of the glass is reduced to **63° C.**

Part number	Lamp	Lampholder	Temperature*	Tilt range	Half beam angle γ	
					C 0 - 180	C 90 - 270
8 631 011 009	HIT-DE-CE 70 W HST-DE 70 W	Rx7s	78°	0 - 5°	14°	100°

* With the heat block filter (see accessories) the surface temperature of the glass is reduced to **68° C.**

Part number	Description
... 1.. 009	Luminaire with slip-resistant glass*

* The light distribution becomes more diffused.



Accessory for ground-recessed uplighter with stainless steel trim

Part number	Description
126 0 269 000	Installation sleeve, polypropylene, for luminaire with overlapping trim

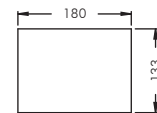
Lamps (see page 364-365)

HIT-DE-CE HST-DE

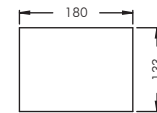


**Accessories for ground-recessed uplighters,
asymmetrical wide beam**

Part number	Colour	Description
126 0 271 000	yellow	Colour filters
126 0 273 000	blue	
126 0 277 000	red	
126 0 278 000	green	

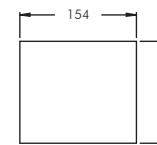


Part number	Description
126 0 244 000	Heat block filter, reduces the surface temperature of the glass

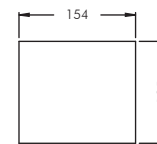


**Accessories for ground-recessed uplighters,
with wall washer optics**

Part number	Colour	Description
126 0 281 000	yellow	Colour filters
126 0 283 000	blue	
126 0 287 000	red	
126 0 288 000	green	



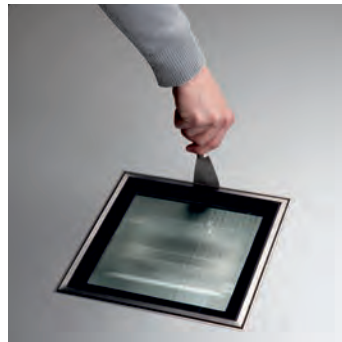
Part number	Description
126 0 242 000	Heat block filter, reduces the surface temperature of the glass





**Accessory for ground-recessed uplighter,
flush mounted**

Part number	Description
126 0 280 000	Suction lifter, to remove the glass lense during maintenance



The luminaires are locked into the installation sleeve with an anti-theft device. They are released using a flat-bladed tool such as a spatular.



Subsequently the luminaire is lifted out of the installation sleeve by means of a suction lifter.